

Reel Catalog

Hose, cord and cable reels

READY
WHEN YOU ARE.



reelcraft.com



Reelcraft Benefits

Why use hose reels?

Why use hose reels? Because they make hose handling more efficient and safer. Your hoses, cables and cords will last up to five times longer. You will improve hose management, which decreases labor costs. Your chances of injuries from

tripping hazards will decrease, which saves lost work time, medical bills and higher insurance. You also save the expense and time to replace expensive hoses, cables and cords that get run over by fork lifts and other vehicles.



Series TWHD70000 Welding Hose Reel

Five reasons why hose reels add value

- 1. Improve efficiency** - Hoses, cable and cords are where you want/need them
- 2. Increase safety** - Reduce tripping accidents and lost work time
- 3. Minimize leakages** - Reduce costs of air and water leakages
- 4. Reduce hose wear** - Hose and cord on a reel can last up to five times longer
- 5. Increase productivity** - No more tangled hoses improves productivity



Series PW81000 OHP Ultimate Duty Pressure Wash Hose Reel

OSHA says reduce your trips and falls

“There are many situations that may cause slips, trips, and falls. The controls needed to prevent these hazards are usually obvious, but too often ignored, such as...coiling up extension cords, lines, and hoses when not in use and keeping electrical and other wires out of the way.” OSHA’s “Fall Prevention Tips” include, “Practice good housekeeping. Keep cords, welding leads, and air hoses out of walkways or adjacent work areas.”

Source: www.osha.gov

Series 7000 and 80000 Hose Reels



Two Year Limited Warranty and Return Policy

Reelcraft now offers a two-year limited warranty. All reels manufactured by Reelcraft Industries, Inc. are warranted to be free of defects due to faulty material or workmanship for 2 years (6 months for hose and light bulbs) from date of shipment when properly installed, maintained, and operated in accordance with the recommendation of Reelcraft and the manual of instructions. Normal wear and tear is not considered a defect in material or workmanship. For complete warranty information and return information please visit reelcraft.com or call Reelcraft’s Customer Service Department toll-free at 1-855-634-9109.

Reelcraft: Better by Design

Reelcraft's reels are better by design because of our lasting commitment to excellence. Our engineering team is well known for designing durable, high quality products. Our standard

features include durable, corrosion-resistant powder coat paint, multi-position guide arms for versatile mounting options, and heavy-duty, reinforced steel stampings for

increased strength. Our reels are permanently factory-lubricated for a long, trouble-free service life. All of these features, and many more, add up to make "The Reelcraft Difference."

Reinforced Steel

The steel-stamped guide arm is reinforced to reduce bending due to angular pull.

Improved Connection

The elongated brass connector and proprietary adhesion process provide a better crimp to the hose.

Stress-Free Swivel

Our full-flow design combines the highest grade seal design with supporting bearing surfaces to ensure the longest possible life.

Corrosion-Resistant

Steel components are individually powder coated to virtually eliminate corrosion.

Long Service Life

Field-proven swivel assures long service life.

Kinkless Hose

High quality PVC hose is specially blended for use on reels

Sealed Connection Points

Swivel and hose inlet connections seal against leaks

Adjustable Guide Arm

Multiple guide arm positions provide versatile uses and easier field adjustment

Trouble-Free Performance

Fewer components increase the service life of the reel and improve performance

Long Life Drive Spring

Drive mechanism is enclosed for protection against the environment. Declutching arbor virtually eliminates possibility of spring damage due to reverse winding of reel spool.

Robust Latch

Wide profile combined with special spring assures maximum service life.

Structural Strength

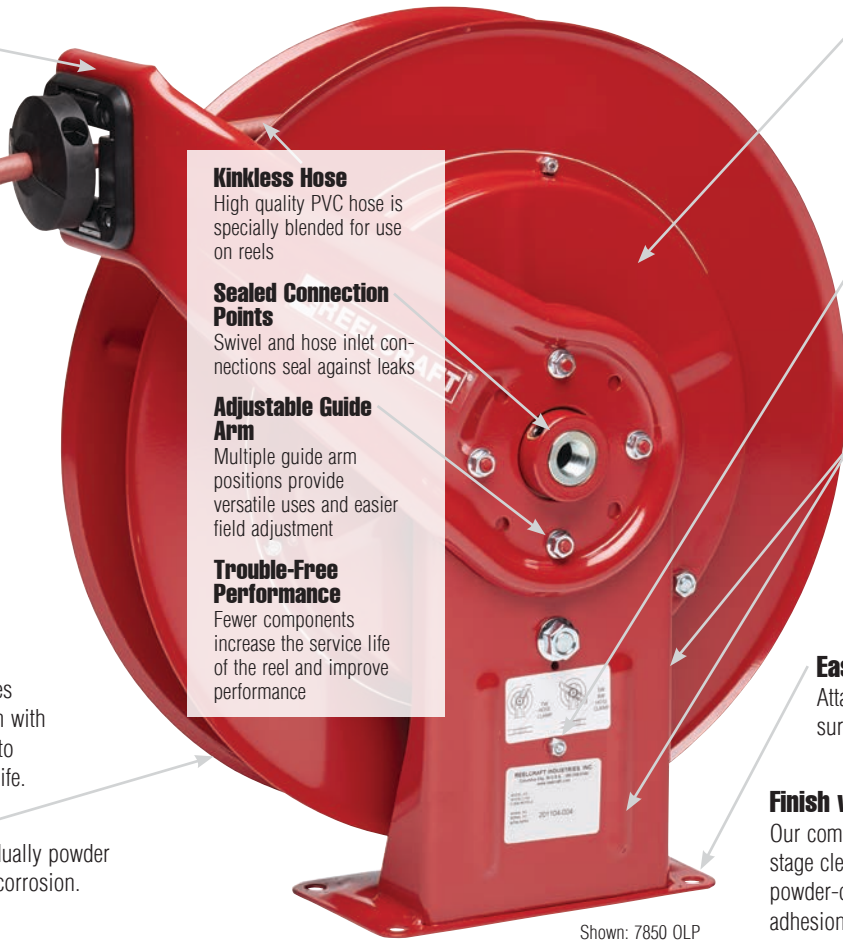
Welded heavy gauge steel frame includes a robotically welded base with stiffening ribs for lighter weight, yet stronger components for ease of handling and installation.

Easy to Mount

Attaches to most structurally sound surfaces. Edges are curved for safety.

Finish with Quality

Our components undergo a special five-stage cleaning process and are individually powder-coated for the highest quality paint adhesion. Excess powder is reclaimed to be environmentally friendly.



Shown: 7850 OLP

To place an order, please advise:

1. Model number
2. Account number
3. Shipping method

Not a Reelcraft distributor? Visit our online interactive catalog to find an online or local distributor.

Additional Considerations:

A flexible connection between the reel and the source of supply is required to prevent possible misalignment and binding. Non-flexible connections will void the warranty. The pressure rating of inlet hose must be equal or greater than the rating of the reel.

***Consult Reelcraft for recommendations if installation height is more than 16 feet.**

Accessories

Reels ordered with hose and bumper are assembled complete and ready to install. Order bumpers separately for reels without hoses.

Additional questions? Please visit our website or call for assistance. For more than 50 years, our specialty is offering hose handling solutions.

COPYRIGHT NOTICE

All rights reserved. No part of the material protected by this copyright may be reproduced or utilized in any form or by any means, electronic or mechanical, including photocopying, recording, broadcasting or by

any other information storage and retrieval system without written permission from Reelcraft Industries, Inc. Reelcraft, Safe-T-Reel, Better by Design, Built Better to Perform Better, Rely on Reelcraft, and REELSAFE are the trademarks and service marks of Reelcraft


Industries, Inc. registered in the United States and/or other jurisdictions. You shall not display, disparage, dilute or taint our trademarks and service marks, or use our marks in such a way that would misrepresent the identity of the owner.

All other trademarks, service marks or registered trademarks appearing on these pages are the trademarks or service marks of their respective owners.

Table of Contents


Reel Series Page


Spring Retractable Hose Reels


Series RT 1/4", 3/8", 1/2" I.D. **8** 


Series B3000 1/4", 3/8" I.D. **9** 


Series 4000 1/4", 3/8" I.D. **9** 


Series 5000 & 5005 1/4", 3/8", 1/2" I.D. **10** 


Series RS7000 & 7000 1/4", 3/8", 1/2", 3/4" I.D. **11-12** 

Enclosed Reels 1/4", 3/8", 1/2" I.D. **11** 

Series HD70000 1/4", 3/8", 1/2" I.D. **13** 


Series 80000 & D80000 3/8", 1/2", 3/4", 1" I.D. **14** 


Series DP5000 & DP7000 1/4", 3/8", 1/2" I.D. **15** 

Series 9000 3/4", 1", 1 1/2" I.D. **16** 


Reel Series Page


Specialty Hose Reels


Twin Hydraulic - Series TH 1/4", 3/8", 1/2" I.D. **17** 

Potable Water Reels 1/2" I.D. **18** 

Pre-Rinse Hose Reels 3/8" I.D. **18** 


Stainless Steel Fluid Path Reels 1/2", 3/4", 1" I.D. **18** 

Stainless Steel Reels 3/8", 1/2", 3/4", 1" I.D. **19** 

Fuel Hose Reels 3/4", 1", 1 1/2" I.D. **20** 

DEF Hose Reels 1/2", 3/4" I.D. **21** 

Grounding Reels 50 - 100 ft. **21** 

Pressure Wash Reels 1/4", 3/8", 1/2" I.D. **22** 



Garden Center Reels 1/2", 5/8", 3/4" I.D. **23** 


Table of Contents

Reel Series **Page**


Hand Crank & Motorized Reels


Series 30000 Hose reel carts **23** 

Series C 3/8", 1/2" I.D. **24** 

Series 30000 1/2", 3/4", 1" I.D. **24-25** 

Power & Light Cord Reels

Series L 3000 Single, quad receptacle, and flying lead power **27** 

L 4000, L 5000, L 7000 & L 70000 Single, duplex, triple tap, quad receptacle, and flying lead power **27-29** 

Series L 4000 Light cord reels **30** 

Series L NM400 NEMA 4 rated cord reels **30** 


Display Stand


Six Reel Display S602037-2


Conveniently displays up to six reels and features removable universal brackets for ease of mounting. The stand is made from extruded aluminum and the brackets are fabricated from high-grade industrial steel. Reels sold separately.

Reel Series **Page**

Welding Reels

Welding Hose Assemblies Single line and twin line inlet and outlet hose assemblies **31** 


Series SW Single line welding hose reels **32** 

Series BA & TW Twin line welding hose reels **33** 


Series CEA & WC Welding cable reels **34** 

Safe-T-Reels Multiple configurations **35** 


Tool Balancers

Series TB & TBL & Bumper Stops Tool balancers and bumper stops **36** 

Parts & Accessories

Hose Assemblies 1/4", 3/8", 1/2", 3/4", 1" I.D. **37** 

Rewind Motor, Switches, & Kits Motor accessories, Series 9000 hose guide conversion kits **38** 

Mounting Accessories Hose guides, roller guides, bases, and brackets **39** 

Reelcraft's Online Interactive Catalog

Complete Online Catalog of Products

Reelcraft's interactive catalog gives users the ability to self-select the product they need for their specific application. The products are grouped into categories by application and gives the user the choice to narrow their search by filters such as hose/cord length, drive type, reel grade, etc. The individual product pages include all the available information for each product including:

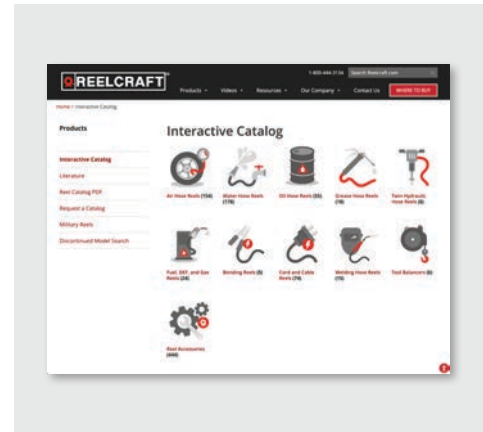
- Product specs and dimensions
- Tech bulletins
- Available parts and accessories
- Distributor locator
- Videos
- 360° images
- Service manuals
- CAD drawings
- FAQs

Parts and Accessories

The interactive catalog also contains an extensive listing of parts and accessories. Search the catalog of over 250 hose assemblies by hose I.D., length, pressure rating, or end fitting size. The catalog also contains information for the following items:

- Replacement hose assemblies
- Bumper stop assemblies
- Swivel assemblies
- Inlet hose assemblies
- Roller guide assemblies
- Motors and motor accessories
- Swing brackets
- Pivot bases

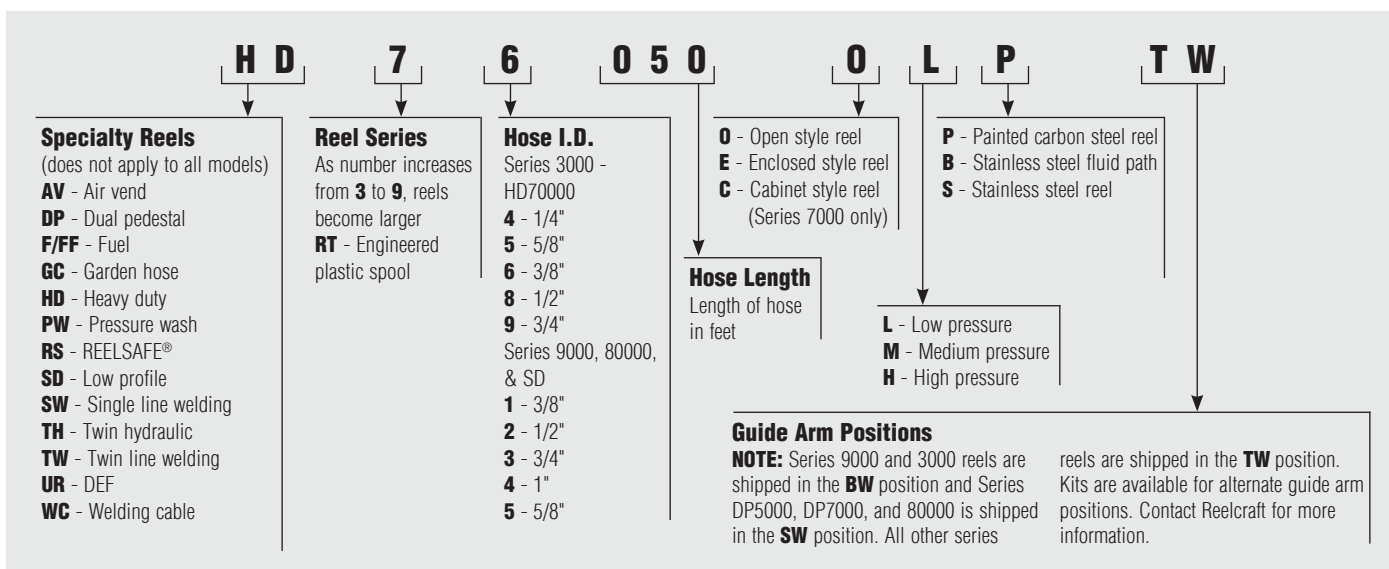
Visit www.reelcraft.com/catalog to start your search!



Easy to use!



Spring Retractable Reels Model Number Chart



Some model series include a revision letter prefix, does not apply to all series. Chart is for reference only. Not all options available in every combination. Reels cannot be ordered by selecting from this chart.

Powder Coat Paint Colors Customize your reel paint color

Reelcraft is most well-known for its bright red reels, but we also powder coat paint black and white. Other specialty colors are also available, consult Reelcraft for more information.

*Minimum quantities may apply



Reel Accessories

A wide range of available accessories for your reel including inlet hoses, motor switches, hose roller guides, swing brackets, and swivel bases.

See page 37-39 for reel accessories or visit reelcraft.com/accessories for a complete list.



Swing bracket
600993



Inlet hose
S600982-10



Push button switch
600811

Reel Replacement Parts

Many parts of a Reelcraft reel can be easily serviced and/or replaced. Visit reelcraft.com/service-manuals for a complete list of product service manuals.

For outlet hose assemblies, drive motors, swivel assemblies, and adjustable bumpers, visit reelcraft.com/accessories.



Adjustable bumper
1-HR1004-3



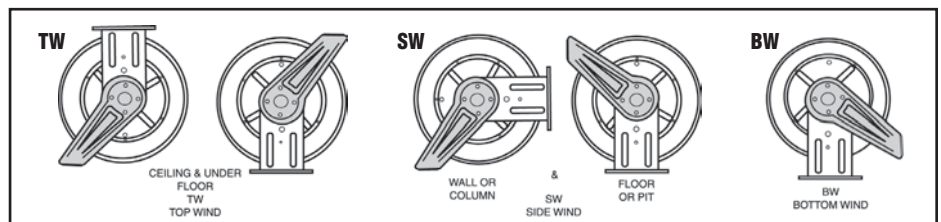
Hose assembly
S601035-75

Swivel assembly
S600300-1



Guide Arm Positions

Series 9000 and 3000 reels are shipped in the **BW** position and Series DP5000, DP7000, and 80000 is shipped in the **SW** position. All other series reels are shipped in the **TW** position. Kits are available for alternate guide arm positions. Contact Reelcraft for more information.



Medium Duty Spring Retractable Reels Air/Water - 1/4", 3/8", 1/2" I.D.



- Spool is constructed from a rugged engineered plastic
- Individually powder coated components offer maximum protection from premature corrosion
- The steel guide arm and base are stamped with ribs and gussets to ensure maximum strength and lightest possible weight
- Widened ratchet and latch pawl design greatly reduces wear and increases service life
- The industrial-grade drive spring completely containerized and permanently sealed
- Inlet hose is plumbed into the base to eliminate the risk of undue stress on the swivel
- Guide arm adjusts to seven positions



RT650-OLP



RT605-OLP



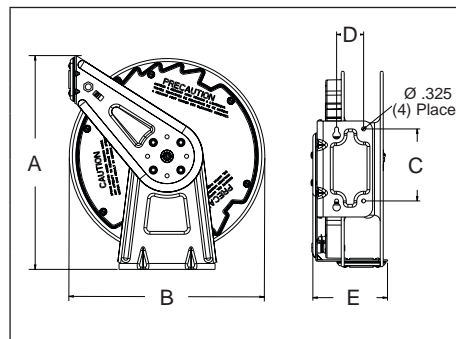
RT650-OLP

New Spool Material and Design!



**Interactive
Reel Catalog**

Visit reelcraft.com/catalog for complete product specifications, available parts, and accessories.



Dimensions

	1		2	
	in	mm	in	mm
A	17 ⁷ / ₈	454	17 ⁷ / ₈	454
B	16 ¹ / ₂	419	16 ¹ / ₂	419
C	6	152	6	152
D	2 ¹ / ₄	57	2 ¹ / ₄	57
E	6 ¹ / ₄	159	7 ³ / ₄	197

Model with hose & bumper	Shipping Weight		Hose I.D.		Hose O.D.		Hose Length		*Max Pressure		NPT(M) Hose Outlet	NPT(F) Reel Inlet	NPT(F) Reel Outlet	Size Index #
	lbs	kg	in	mm	in	mm	ft	m	psi	bar	in	in	in	
Low Pressure Air/Water Reels Maximum Temperature 150 °F (65 °C) *Maximum working pressure at 70 °F (20 °C)														
RT425-OLP	19	9	1/4	6	.475	12	25	8	300	21	1/4	3/8	1/4	1
RT435-OLP	21	10	1/4	6	.475	12	35	11	300	21	1/4	3/8	1/4	1
RT450-OLP	24	11	1/4	6	.475	12	50	15	300	21	1/4	3/8	1/4	1
RT625-OLP	20	9	3/8	10	.600	15	25	8	300	21	1/4	3/8	1/4	1
RT635-OLP	21	10	3/8	10	.600	15	35	11	300	21	1/4	1/2	1/4	1
RT650-OLP ★	27	12	3/8	10	.600	15	50	15	300	21	1/4	1/2	1/4	1
RT835-OLP	27	12	1/2	13	.750	19	35	11	300	21	1/2	1/2	1/2	1
RT850-OLP	37	17	1/2	13	.750	19	50	15	300	21	1/2	1/2	1/2	2

Reels supplied with PVC hose.

Model without hose & bumper	Shipping Weight		Hose Capacity				Max Pressure		NPT(F) Reel Inlet	NPT(F) Reel Outlet	Size Index #		
	lbs	kg	I.D.	O.D.	Length		psi	bar	in	in			
Low Pressure Air/Water Reels Maximum Temperature 150 °F (65 °C)													
RT405-OLP	21	10	1/4	6	.475	12	50	15	300	21	3/8	1/4	1
RT605-OLP	22	10	3/8	10	.600	15	50	15	300	21	1/2	1/4	1
RT802-OLP	27	12	1/2	13	.750	19	35	11	300	21	1/2	1/2	1
RT805-OLP	25	11	1/2	13	.750	19	50	15	300	21	1/2	1/2	2



Pivot Bases & Swing Brackets
See page 39

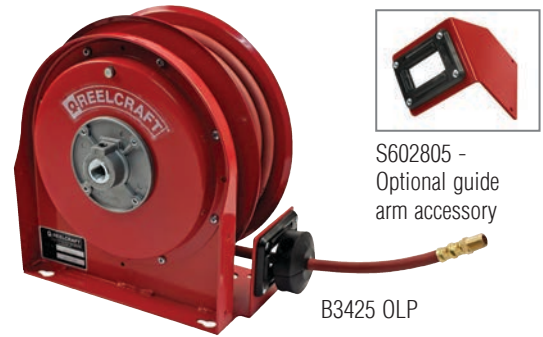
Models with a ★ icon are our most popular models.

Premium Duty Spring Retractable Hose Reels

Series 3000 - Air/Water - 1/4", 3/8" I.D.

- Ultra-compact for a wide range of bench mount or mobile applications with critical space requirements
- Compact size - reel easily fits within a 1 ft. x 1 ft. space
- Multiple slotted mounting holes to accommodate many configurations
- All steel components are individually powder coated to virtually eliminate corrosion

NEW!



S602805 -
Optional guide
arm accessory

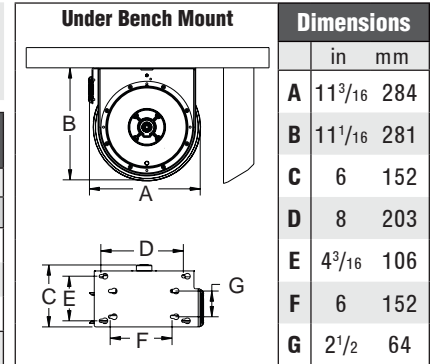
B3425 OLP

Additional Series 3000 Models

Cord Reels - Page 27

Model with hose & bumper	Shipping Weight		Hose I.D.		Hose O.D.		Hose Length		Max Pressure	NPT(M) Hose Outlet	NPT(F) Reel Inlet	NPT(F) Reel Outlet	
	lbs	kg	in	mm	in	mm	ft	m					psi
Low Pressure Air / Water Hose Reels Maximum temperature 150 °F (65 °C)													
B3425 OLP	18	8.2	1/4	6	.475	12	25	7.6	300	21	1/4	3/8	3/8
B3620 OLP	18	8.2	3/8	10	.600	15	20	6.1	300	21	1/4	3/8	3/8
S602805	1.1	0.5	Optional guide arm accessory for multiple adjustment positions										

Low pressure reels supplied with PVC hose.



Premium Duty Spring Retractable Reels



Series 4000 - Air/Water - 1/4", 3/8" I.D.

- Compact for a wide range of applications with critical space requirements
- Guide arm adjusts to two positions
- Inlet hose is plumbed into the base to eliminate the risk of stress on the swivel
- The reliable speed latch allows for positive locking of the spool in two positions per rotation



4625 OLP

Additional Series 4000 Models

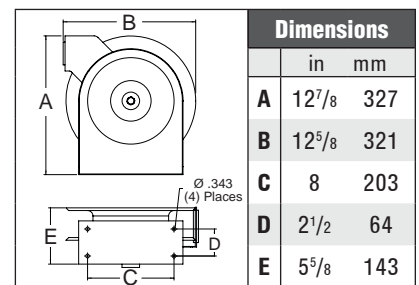
Cord Reels - Page 27-30

Series 4000 reels include a speed latch mechanism that uses a cam and disc for quiet operation.

Models with a ★ icon are our most popular models.

Model with hose & bumper	Shipping Weight		Hose I.D.		Hose O.D.		Hose Length		*Max Pressure	NPT(M) Hose Outlet	NPT(F) Reel Inlet	NPT(F) Reel Outlet	
	lbs	kg	in	mm	in	mm	ft	m					psi
Low Pressure Air/Water Reels Maximum Temperature 150 °F (65 °C)													
4420 OLP	18	8	1/4	6	.475	12	20	6	300	21	1/4	3/8	1/4
4425 OLP	19	9	1/4	6	.475	12	25	8	300	21	1/4	3/8	1/4
4435 OLP	19	9	1/4	6	.475	12	35	11	300	21	1/4	3/8	1/4
4625 OLP ★	20	9	3/8	10	.600	15	25	8	300	21	1/4	3/8	1/4

Low pressure reels supplied with PVC hose. See operating instructions for optimum mounting configuration. *Maximum working pressure at 70 °F (20 °C)



Interactive Reel Catalog

Visit reelcraft.com/catalog for complete product specifications, available parts, and accessories.



Pivot Bases & Swing Brackets

See page 39

Model without hose & bumper	Shipping Weight		Hose Capacity			Max Pressure	NPT(F) Reel Inlet	NPT(F) Reel Outlet				
	lbs	kg	I.D.	O.D.	Length							
Low Pressure Air/Water Reels Maximum Temperature 210 °F (99 °C)												
4400 OLP	17	8	1/4	6	.475	12	35	11	500	35	3/8	1/4
4600 OLP	17	8	3/8	10	.600	15	25	8	500	35	3/8	1/4

Premium Duty Spring Retractable Reels

Air/Water/Oil/Grease - 1/4", 3/8", 1/2" I.D.

- Compact for a wide range of applications with critical space requirements
- Robotically welded steel base offers maximum strength and consistent quality
- Individually powder-coated steel components provide maximum protection from premature corrosion
- Guide arm adjusts to two positions
- Inlet hose is plumbed into the base to eliminate the risk of stress on the swivel
- The reliable speed latch allows for positive locking of the spool in two positions per rotation
- The swivel is nested inside the spool for protection from impact and the environment



5635 OLP



5650 OLP

See operating instructions for optimum mounting configuration.

Additional Series 5000 / 5005 Models

- Enclosed Reels** - Page 11
- Cord Reels** - Page 28-29
- Twin Hydraulic** - Page 17
- Welding Gas** - Page 32-33
- Pre-Rinse/Potable** - Page 18

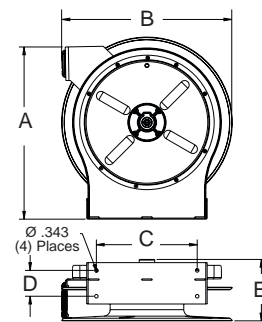


Models with a ★ icon are our most popular models.

Model with hose & bumper	Shipping Weight		Hose I.D.		Hose O.D.		Hose Length		Max Pressure		NPT(M) Hose Outlet	NPT(F) Reel Inlet	NPT(F) Reel Outlet	Size Index #
	lbs	kg	in	mm	in	mm	ft	m	psi	bar	in	in	in	
Low Pressure Air/Water Reels Maximum Temperature 150 °F (65 °C) Max working pressure is at 70 °F (20 °C)														
5450 OLP	26	12	1/4	6	.475	12	50	15	300	21	1/4	3/8	1/4	1
5635 OLP	25	11	3/8	10	.600	15	35	11	300	21	1/4	3/8	1/4	1
5650 OLP ★	36	16	3/8	10	.600	15	50	15	300	21	1/4	3/8	1/4	2
A5825 OLP	27	12	1/2	13	.750	19	25	8	300	21	1/2	3/8	1/2	1
A5835 OLP	39	18	1/2	13	.750	19	35	11	300	21	3/8	3/8	1/2	2
A5850 OLP ★	41	19	1/2	13	.750	19	50	15	300	21	1/2	3/8	1/2	3
Medium Pressure Oil Reels Maximum Temperature 210 °F (99 °C)														
5630 OMP	31	14	3/8	10	.690	18	30	9	2600	179	3/8	3/8	3/8	1
A5835 OMP	42	19	1/2	13	.820	21	35	11	3000	207	1/2	3/8	1/2	2

Low pressure reels supplied with PVC hose. Medium pressure reels supplied with S.A.E. 100R1-AT (3/8") or S.A.E. 100R17 (1/2") one wire braid hose. *Side mount configuration; visit reelcraft.com for dimensions.

	Dimensions					
	1		2		3	
	in	mm	in	mm	in	mm
A	14 ³ / ₈	365	17 ⁵ / ₈	448	17 ⁵ / ₈	448
B	13 ³ / ₄	349	16 ³ / ₄	425	16 ³ / ₄	425
C	9 ³ / ₄	248	9 ³ / ₄	248	9 ³ / ₄	248
D	2 ¹ / ₂	64	2 ¹ / ₂	64	2 ¹ / ₂	64
E	6 ¹ / ₈	156	5 ⁷ / ₈	149	7 ¹ / ₄	184



Model without hose & bumper	Shipping Weight		Hose Capacity				Max Pressure	NPT(F) Reel Inlet	NPT(F) Reel Outlet	Size Index #			
	lbs	kg	I.D.		Length								
			in	mm	in	mm	ft	m	psi	bar			
Low Pressure Air/Water Reels Maximum Temperature 210 °F (99 °C)													
5400 OLP	20	9	1/4	6	.475	12	50	15	500	35	3/8	1/4	1
5600 OLP	21	10	3/8	10	.600	15	35	11	500	35	3/8	1/4	1
5605 OLP	21	10	3/8	10	.600	15	50	15	500	35	3/8	1/4	2
A5800 OLP	22	10	1/2	13	.750	19	25	8	500	35	3/8	1/2	1
A5806 OLP	35	16	1/2	13	.750	19	50	15	500	35	3/8	1/2	3
Medium Pressure Oil Reels Maximum Temperature 210 °F (99 °C)													
5400 OMP	23	10	1/4	6	.530	13	35	11	3000	207	3/8	3/8	1
5600 OMP	24	11	3/8	10	.690	18	30	9	3000	207	3/8	3/8	1
High Pressure Grease Reels Maximum Temperature 210 °F (99 °C)													
5400 OHP	23	10	1/4	6	.580	15	30	9	5000	345	1/4	1/4	1



Interactive Reel Catalog

Visit reelcraft.com/catalog for complete product specifications, available parts, and accessories.



Pivot Bases & Swing Brackets

See page 39

Premium Duty Spring Retractable Hose Reels

Air/Water/Oil/Grease - 1/4", 3/8", 1/2", 3/4" I.D.

- Retracts at the average human walking speed of 2 to 3 MPH
- Integral clutch creates a consistent retraction speed regardless of fluid or environmental temperatures
- Safely protects personnel and equipment

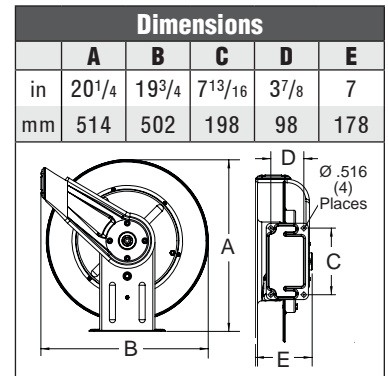


RS7650 OLP

NEW!
Controlled
Return Hose Reel
REELSAFE

Model with hose & bumper	Shipping Weight		Hose I.D.		Hose O.D.		Hose Length		Max Pressure		NPT(M) Hose Outlet	NPT(F) Reel Inlet	NPT(F) Reel Outlet
	lbs	kg	in	mm	in	mm	ft	m	psi	bar	in	in	in
Low Pressure Air/Water Reels Maximum Temperature 150 °F (65 °C) Max working pressure is at 70 °F (20 °C)													
RS7650 OLP	46	21	3/8	10	.600	15	50	15	300	21	1/4	1/2	1/2
RS7670 OLP ★	50	23	3/8	10	.600	15	70	22	300	21	1/4	1/2	1/2
RS7850 OLP ★	50	23	1/2	13	.750	19	50	15	300	21	3/8	1/2	1/2
RS7925 OLP	50	23	3/4	19	1.075	27	25	8	250	17	3/4	3/4	3/4
Medium Pressure Oil Reels Maximum Temperature 210 °F (99 °C)													
RS7650 OMP	58	26	3/8	10	.690	18	50	15	2600	179	3/8	1/2	1/2
RS7850 OMP	60	27	1/2	13	.820	21	50	15	3000	207	1/2	1/2	1/2
High Pressure Grease Reels Maximum Temperature 210 °F (99 °C)													
RS7450 OHP	58	26	1/4	6	.580	15	50	15	5000	345	1/4	1/2	1/2
RS7650 OHP	63	29	3/8	10	.730	19	50	15	4800	331	1/4	1/2	1/2

Low pressure reels supplied with PVC hose. Medium pressure reels supplied with S.A.E. 100R1-AT (3/8") or S.A.E. 100R17 (1/2") one wire braid hose. High pressure reels supplied with S.A.E. 100 R2T two wire braid hose.



Model without hose & bumper	Shipping Weight		Hose Capacity			Max Pressure	NPT(F) Reel Inlet	NPT(F) Reel Outlet		
	lbs	kg	I.D.	O.D.	Length					
Low Pressure Air/Water Reels Maximum Temperature 210 °F (99 °C)										
RS7600 OLP	43	20	3/8	10	.600	16	500	35	1/2	1/2
RS7800 OLP	44	20	1/2	13	.750	19	500	35	1/2	1/2
Medium Pressure Oil Reels Maximum Temperature 210 °F (99 °C)										
RS7600 OMP	46	21	3/8	10	.690	18	3000	207	1/2	1/2
High Pressure Grease Reels Maximum Temperature 210 °F (99 °C)										
RS7400 OHP	46	21	1/4	6	.580	15	5000	345	1/2	1/2
RS7600 OHP	49	27	3/8	10	.730	19	5000	345	1/2	1/2



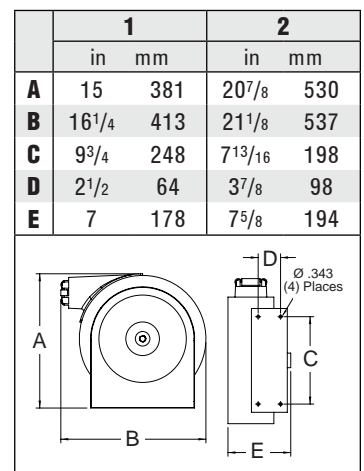
Pivot Bases & Swing Brackets
See page 39

Premium Duty Enclosed Hose Reels

Air/Water - 1/4", 3/8", 1/2" I.D.

- Features a steel enclosure that offers an additional level of protection for the hose
- Remove the cover on either side for easy access

5450 ELP



Model with hose & bumper	Shipping Weight		Hose I.D.	Hose O.D.	Hose Length	Max Pressure	NPT(M) Hose Outlet	NPT(F) Reel Inlet	NPT(F) Reel Outlet	Size Index #				
	lbs	kg												
Low Pressure Air/Water Reels Maximum Temperature 150 °F (65 °C) Max working pressure is 70 °F (20 °C)														
5450 ELP	37	17	1/4	6	.475	12	50	15	300	21	1/4	3/8	1/4	1
7650 ELP	63	29	3/8	10	.600	15	50	15	300	21	1/4	1/2	1/2	2
7670 ELP	68	31	3/8	10	.600	15	70	22	300	21	1/4	1/2	1/2	2
7850 ELP	74	34	1/2	13	.750	19	50	15	300	21	3/8	1/2	1/2	2

Premium Duty Spring Retractable Hose Reels

Air/Water/Oil/Grease - 1/4", 3/8", 1/2", 3/4" I.D.

- Robust and ideal for the most demanding applications
- Individually powder-coated steel components provide maximum protection from premature corrosion
- Base plate, upright, and guide arm are constructed from 11 gauge steel; the spool is 16 gauge steel
- Inlet hose is plumbed into the base to eliminate the risk of stress on the swivel
- Guide arm adjusts to seven positions
- Full flow swivel combines the highest grade seal design and materials with bearing areas for maximum service life



7650 OLP

Models with a ★ icon are our most popular models.



Additional Series 7000 Models

- Enclosed Reels** - Page 11
- Twin Hydraulic** - Page 17
- Stainless Steel** - Page 19
- Fuel/DEF** - Page 20-21
- Pressure Wash** - Page 22
- Garden Reels** - Page 23
- Cord Reels** - Page 28
- Gas/Cable Welding** - Page 32-34



7600 OLP



7850 CLP



7650 OLP

Model with hose & bumper	Shipping Weight		Hose I.D.		Hose O.D.		Hose Length		Max Pressure		NPT(M) Hose Outlet	NPT(F) Reel Inlet	NPT(F) Reel Outlet
	lbs	kg	in	mm	in	mm	ft	m	psi	bar	in	in	in
Low Pressure Air/Water Reels Maximum Temperature 150 °F (65 °C) Max working pressure is at 70 °F (20 °C)													
7650 OLP ★	43	20	3/8	10	.600	15	50	15	300	21	1/4	1/2	1/2
7670 OLP ★	47	21	3/8	10	.600	15	70	22	300	21	1/4	1/2	1/2
7850 OLP ★	47	21	1/2	13	.750	19	50	15	300	21	3/8	1/2	1/2
7850 CLP*	45	21	1/2	13	.750	19	50	15	300	21	3/8	1/2	1/2
7850 OLP121	47	21	1/2	13	.750	19	50	15	300	21	1/2	1/2	1/2
7925 OLP	47	21	3/4	19	1.075	27	25	8	250	17	3/4	3/4	3/4
Medium Pressure Oil Reels Maximum Temperature 210 °F (99 °C)													
7650 OMP	55	25	3/8	10	.690	18	50	15	2600	179	3/8	1/2	1/2
7850 OMP ★	57	26	1/2	13	.820	21	50	15	3000	207	1/2	1/2	1/2
High Pressure Grease Reels Maximum Temperature 210 °F (99 °C)													
7450 OHP	55	25	1/4	6	.580	15	50	15	5000	345	1/4	1/2	3/8
7650 OHP	60	27	3/8	10	.730	19	50	15	4800	331	1/4	1/2	3/8

Low pressure reels supplied with PVC hose. Medium pressure reels supplied with S.A.E. 100R1-AT (3/8") or S.A.E. 100R17 (1/2") one wire braid hose. High pressure reels supplied with S.A.E. 100 R2T two wire braid hose. *Cabinet style reel - guide arm not included; inlet hose is included

Dimensions					
	A	B	C	D	E
in	20 1/4	19 3/4	7 13/16	3 7/8	7
mm	514	502	198	98	178

Meets or exceeds military vibration for Truck Transport test
MIL-STD-810F
500,000 mile equivalent

Model without hose & bumper	Shipping Weight		Hose Capacity			Max Pressure	NPT(F) Reel Inlet	NPT(F) Reel Outlet				
	lbs	kg	I.D.	O.D.	Length							
Low Pressure Air/Water Reels Maximum Temperature 210 °F (99 °C)												
7600 OLP	40	18	3/8	10	.600	15	70	22	500	35	1/2	1/2
7800 OLP	41	19	1/2	13	.750	19	50	15	500	35	1/2	1/2
7900 OLP	44	20	3/4	19	1.075	27	25	8	500	35	3/4	3/4
Medium Pressure Oil Reels Maximum Temperature 210 °F (99 °C)												
7600 OMP	43	20	3/8	10	.690	18	50	15	3000	207	1/2	1/2
7800 OMP	43	20	1/2	13	.820	21	50	15	3000	207	1/2	1/2
High Pressure Grease Reels Maximum Temperature 210 °F (99 °C)												
7400 OHP	43	20	1/4	6	.580	15	50	15	5000	345	1/2	3/8
7600 OHP	46	21	3/8	10	.730	19	50	15	5000	345	1/2	3/8



Interactive Reel Catalog

Visit reelcraft.com/catalog for complete product specifications, parts, and accessories.



Pivot Bases & Swing Brackets
See page 39

Heavy Duty Spring Retractable Hose Reels

Air/Water/Oil/Grease - 1/4", 3/8", 1/2" I.D.

- Compact design - reels are 25% smaller than our Series 80000 reels
- Redesigned latching mechanism provides longer service life of the latch components
- Guide arm adjusts to seven positions
- The one-piece guide roller design and stainless steel pins offer greater strength and easier serviceability
- Containerized drive spring offers easier handling during maintenance (size index 2 models only)
- High quality, die-cast aluminum hub and two sealed ball bearings produce a smoother spool rotation and easier operation
- Heavy duty, 7 gauge all-steel base and baked-on powder coat finish produce a rugged, corrosion-resistant reel



HD76100 OLP



Models with a ★ icon are our most popular models.

Additional Series HD70000 Models

S.S. Fluid Path - Page 18 **Cord Reels** - Page 27-29

Welding Gas - Page 32-33

Meets or exceeds military vibration for Truck Transport test

MIL-STD-810F
500,000 mile equivalent



HD78005 OLP

Model with hose & bumper	Shipping Weight		Hose I.D.		Hose O.D.		Hose Length		Max Pressure		NPT(M) Hose Outlet	NPT(F) Reel Inlet	NPT(F) Reel Outlet	Size Index #
	lbs	kg	in	mm	in	mm	ft	m	psi	bar	in	in	in	
Low Pressure Air/Water Reels Maximum Temperature 150 °F (65 °C) Max working pressure is at 70 °F (20 °C)														
HD76050 OLP	45	20	3/8	10	.600	15	50	15	300	21	1/4	1/2	1/2	1
HD76070 OLP	49	22	3/8	10	.600	15	70	21	300	21	1/4	1/2	1/2	1
HD76075 OLP	65	29	3/8	10	.600	15	75	23	300	21	1/4	1/2	1/2	2
HD76100 OLP ★	75	34	3/8	10	.600	15	100	30	300	21	1/4	1/2	1/2	2
HD78050 OLP	49	22	1/2	13	.750	19	50	15	300	21	3/8	1/2	1/2	1
HD78075 OLP	73	33	1/2	13	.750	19	75	23	300	21	3/8	1/2	1/2	2
Medium Pressure Oil Reels Maximum Temperature 210 °F (99 °C)														
HD76075 OMP	85	39	3/8	10	.690	18	75	23	2600	179	3/8	1/2	1/2	1
HD78050 OMP	59	27	1/2	13	.820	21	50	15	3000	207	1/2	1/2	1/2	1
HD78065 OMP	78	35	1/2	13	.820	21	65	20	3000	207	1/2	1/2	1/2	2
High Pressure Grease Reels Maximum Temperature 210 °F (99 °C)														
HD74075 OHP	80	36	1/4	6	.580	15	75	23	5000	345	1/4	1/2	3/8	2
HD74100 OHP	86	39	1/4	6	.580	15	100	30	5000	345	1/4	1/2	3/8	2
HD76075 OHP	90	41	3/8	10	.730	19	75	23	4800	331	1/4	1/2	3/8	2

Low pressure reels supplied with PVC hose. Medium pressure reels supplied with S.A.E. 100R1-AT (3/8") or S.A.E. 100R17 (1/2") one wire braid hose. High pressure reels supplied with S.A.E. 100 R2T two wire braid hose.

	Dimensions - Size Index			
	1		2	
	in	mm	in	mm
A	20 ¹ / ₄	514	20 ¹ / ₄	514
B	19 ³ / ₄	502	19 ³ / ₄	502
C	7 ¹³ / ₁₆	198	7 ¹³ / ₁₆	198
D	3 ⁷ / ₈	98	3 ⁷ / ₈	98
E	7	178	8 ¹ / ₂	216



Interactive Reel Catalog

Visit reelcraft.com/catalog for complete product specifications, parts, and accessories.



Pivot Bases & Swing Brackets
See page 39

Model without hose & bumper	Shipping Weight		Hose Capacity				Max Pressure	NPT(F) Reel Inlet	NPT(F) Reel Outlet	Size Index #			
	lbs	kg	I.D.	O.D.	Length								
	in	mm	in	mm	ft	m	psi	bar	in	in			
Low Pressure Air/Water Reels Maximum Temperature 210 °F (99 °C)													
HD76005 OLP	56	25	3/8	10	.600	15	100	30	500	35	1/2	1/2	2
HD78005 OLP	58	26	1/2	13	.750	19	75	23	500	35	1/2	1/2	2

Premium Duty Spring Retractable Reels

Air/Water/Oil/Grease - 3/8", 1/2", 3/4", 1" I.D.

- Dual pedestal base and guide arm design are structurally reinforced
- Containerized spring assembly provides safer and easier handling during maintenance
- Five-in-one, heat-treated aluminum casting incorporates main shaft, ratchet, spring arbor, and inlet/outlet plumbing in one-piece casting
- Two sealed ball bearings for smooth rotation of main shaft



82100 OLP

Additional Series 80000 / D80000 Models

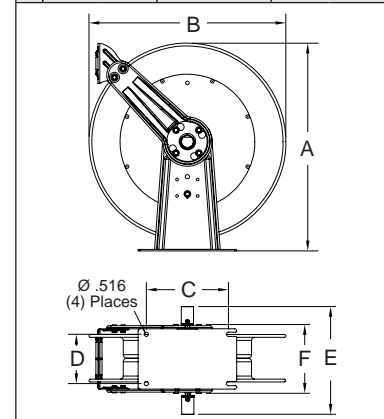
- Twin Hydraulic** - Page 17
- Fuel/DEF** - Page 20-21
- Garden Reels** - Page 23
- Stainless Steel** - Page 19
- Pressure Wash** - Page 22
- Welding** - Page 33-34

Meets or exceeds military vibration for Truck Transport test MIL-STD-810F 500,000 mile equivalent

Model with hose & bumper	Shipping Weight		Hose I.D.		Hose O.D.		Hose Length		Max Pressure		NPT(M) Hose Outlet	NPT(F) Reel Inlet	NPT(F) Reel Outlet	Size Index #
	lbs	kg	in	mm	in	mm	ft	m	psi	bar	in	in	in	
Low Pressure Air/Water Reels Maximum Temperature 150 °F (65 °C) Max working pressure is at 70 °F (20 °C)														
81075 OLP	76	34	3/8	10	.600	15	75	23	300	21	3/8	1/2	1/2	1
81100 OLP	82	37	3/8	10	.600	15	100	30	300	21	3/8	1/2	1/2	1
82075 OLP	87	39	1/2	13	.750	19	75	23	300	21	1/2	1/2	1/2	1
82100 OLP ★	95	43	1/2	13	.750	19	100	30	300	21	1/2	1/2	1/2	1
83050 OLP ★	88	40	3/4	19	1.075	27	50	15	250	17	3/4	3/4	3/4	1
D83075 OLP ★	102	46	3/4	19	1.075	27	75	23	250	17	3/4	3/4	3/4	2
D84050 OLP	103	47	1	25	1.375	35	50	15	250	17	3/4	1	1	3
Medium Pressure Oil Reels Maximum Temperature 210 °F (99 °C)														
82075 OMP	101	46	1/2	13	.850	22	75	23	2000	138	1/2	1/2	1/2	1
82100 OMP	109	49	1/2	13	.850	22	100	30	3000	207	1/2	1/2	1/2	1
83050 OMP	98	44	3/4	19	1.188	30	50	15	1250	86	3/4	3/4	3/4	1
D84050 OMP	122	55	1	25	1.400	36	50	15	1275	88	1	1	1	3
High Pressure Grease Reels Maximum Temperature 210 °F (99 °C)														
81100 OHP	127	58	3/8	10	.730	19	100	30	4800	331	3/8	3/8	3/8	1

Low pressure reels supplied with PVC hose. Medium pressure reels supplied with S.A.E. 100R17 (1/2") or S.A.E. 100R1 (3/4" and 1") one wire braid hose. High pressure reels supplied with S.A.E. 100 R2T two wire braid hose.

	Dimensions - Size Index					
	1		2		3	
	in	mm	in	mm	in	mm
A	25 ³ / ₈	645	25 ³ / ₈	645	25 ³ / ₈	645
B	24	610	24	610	24	610
C	10	254	10 ¹ / ₂	267	10 ¹ / ₂	267
D	6	152	7 ⁷ / ₈	200	7 ⁷ / ₈	200
E	10 ¹ / ₂	267	13	330	15 ³ / ₄	400
F	8 ¹ / ₈	206	10 ³ / ₈	264	10 ³ / ₈	264



Model without hose & bumper	Shipping Weight		Hose Capacity			Max Pressure	NPT(F) Reel Inlet	NPT(F) Reel Outlet	Size Index #				
	lbs	kg	I.D.	O.D.	Length								
Low Pressure Air/Water Reels Maximum Temperature 210 °F (99 °C)													
81000 OLP	77	35	3/8	10	.600	15	100	30	500	35	1/2	1/2	1
82000 OLP	82	37	1/2	13	.750	19	100	30	500	35	1/2	1/2	1
83000 OLP	77	35	3/4	19	1.075	27	50	15	500	35	3/4	3/4	1
D83000 OLP	83	38	3/4	19	1.075	27	75	23	500	35	3/4	3/4	2
D84000 OLP	91	41	1	25	1.375	35	50	15	500	35	1	1	3
Medium Pressure Oil Reels Maximum Temperature 210 °F (99 °C)													
82000 OMP	82	37	1/2	13	.850	22	100	30	3000	207	1/2	1/2	1
83000 OMP	84	38	3/4	19	1.188	30	50	15	1500	103	3/4	3/4	1
D84000 OMP	86	39	1	25	1.400	36	50	15	1500	103	1	1	1
High Pressure Grease Reels Maximum Temperature 210 °F (99 °C)													
81000 OHP	85	39	3/8	10	.730	19	100	30	5000	345	3/8	3/8	1



Interactive Reel Catalog

Visit reelcraft.com/catalog for complete product specifications, parts, and accessories.

Models with a ★ icon are our most popular models.

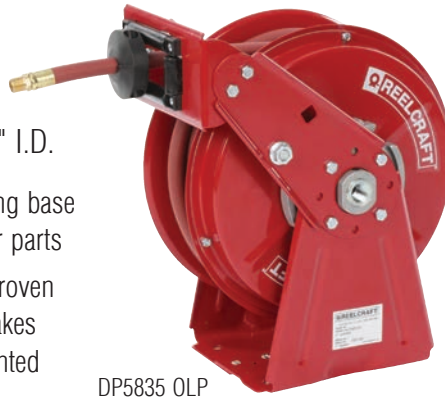


Pivot Bases & Swing Brackets
See page 39

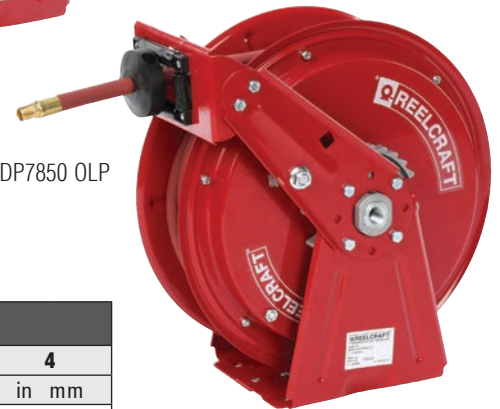
Ultimate Duty Spring Retractable Hose Reels

Air/Water/Oil/Grease - 1/4", 3/8", 1/2" I.D.

- Features an innovative, non-welded, interlocking base that increases the strength while utilizing fewer parts
- Independent testing to military standards has proven the reels stand up to heavy vibration, which makes them especially strong and ideal for truck-mounted applications
- Superbly engineered dual pedestal base and guide arm are structurally reinforced
- Torsion style latch spring life far exceeds that of conventional coil springs



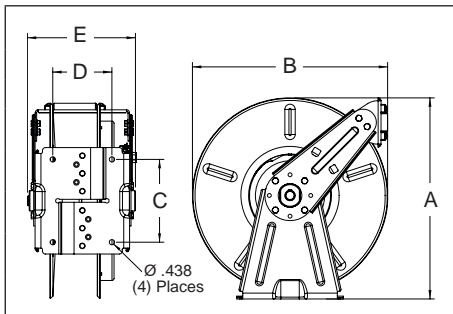
DP5835 OLP



DP7850 OLP

Meets or exceeds military vibration for Truck Transport test

MIL-STD-810F
500,000 mile equivalent



		Dimensions - Size Index							
		1		2		3		4	
		in mm		in mm		in mm		in mm	
A	16 ³ / ₈ 416	16 ³ / ₈ 416	17 432	17 432					
B	14 ³ / ₈ 365	14 ³ / ₈ 365	16 ¹ / ₂ 419	16 ¹ / ₂ 419					
C	7 178	7 178	7 178	7 178					
D	4 102	5 127	4 102	5 127					
E	8 203	9 229	8 203	9 229					



Features

- **Superior corrosion-resistance** - A double adhesive gasket seals the spring case.
- **Ease of operation** - The latch pawl is mounted on the guide arm to prevent latch out at full extension.



Interactive Reel Catalog

Visit reelcraft.com/catalog for complete product specifications, parts, and accessories.

Models with a ★ icon are our most popular models.



Pivot Bases & Swing Brackets
See page 39

Model with hose & bumper	Shipping Weight		Hose I.D.		Hose O.D.		Hose Length		Max Pressure	NPT(M) Hose Outlet	NPT(F) Reel Inlet	NPT(F) Reel Outlet	Size Index #
	lbs	kg	in	mm	in	mm	ft	m					
Low Pressure Air/Water Reels Maximum Temperature 150 °F (65 °C) Max working pressure is at 70 °F (20 °C)													
DP5450 OLP	37	17	1/4	6	.475	12	50	15	300 21	1/4	1/2	3/8	1
DP5635 OLP	41	19	3/8	10	.600	15	35	11	300 21	1/4	1/2	1/2	1
DP5650 OLP	44	20	3/8	10	.600	15	50	15	300 21	1/4	1/2	1/2	2
DP7650 OLP	50	23	3/8	10	.600	15	50	15	300 21	1/4	1/2	1/2	3
DP5835 OLP	52	24	1/2	13	.750	19	35	11	300 21	3/8	1/2	1/2	2
DP7850 OLP ★	53	24	1/2	13	.750	19	50	15	300 21	3/8	1/2	1/2	4
Medium Pressure Oil Reels Maximum Temperature 210 °F (99 °C)													
DP7850 OMP	64	29	1/2	13	.820	21	50	15	3000 207	1/2	1/2	1/2	4
High Pressure Grease Reels Maximum Temperature 210 °F (99 °C)													
DP7650 OHP	65	29	3/8	10	.730	19	50	15	4800 331	1/4	1/2	3/8	3

Low pressure reels supplied with PVC hose. Medium pressure reels supplied with S.A.E. 100R17 (1/2") one wire braid hose. High pressure reels supplied with S.A.E. 100 R2T two wire braid hose.

Model without hose & bumper	Shipping Weight		Hose Capacity			Max Pressure	NPT(F) Reel Inlet	NPT(F) Reel Outlet	Size Index #	
	lbs	kg	I.D.	O.D.	Length					
Low Pressure Air/Water Reels Maximum Temperature 210 °F (99 °C)										
DP7800 OLP	45	20	1/2	13	.750 19	50 15	500 35	1/2	1/2	4
Medium Pressure Oil Reels Maximum Temperature 210 °F (99 °C)										
DP7600 OMP	45	20	3/8	10	.690 18	50 15	3000 207	1/2	1/2	3
DP7800 OMP	45	20	1/2	13	.820 21	50 15	3000 207	1/2	1/2	4

Ultimate Duty Spring Retractable Reels



Air/Water/Oil - 3/4", 1", 1 1/2" I.D.

- Ideal for service trucks, permanent service, or plant work areas
- Substantial base frame – full width frame has the greatest amount of mounting area and overall strength of reels within its class
- Latch and ratchet are made of heavy duty cast aluminum to limit the opportunity for premature wear
- Reels are shipped in the bottom wind position with right hand inlet; see Hose Guide Roller Position for other options

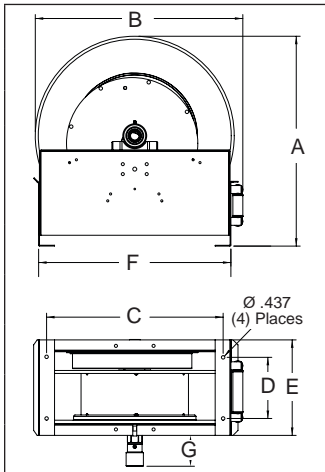


E9350 OLPBW

Models with a ★ icon are our most popular models.

*Series G9000 reels have an external drive spring and a removable gooseneck.

	Size Index									
	1		2		3		4		5	
	in	mm	in	mm	in	mm	in	mm	in	mm
A	26 ³ / ₈	670	26 ³ / ₈	670	26 ¹ / ₄	667	26 ¹ / ₄	667	26 ³ / ₈	670
B	26 ¹ / ₄	667	26 ¹ / ₄	667	26 ¹ / ₄	667	26 ¹ / ₄	667	26 ¹ / ₄	667
C	22 ¹ / ₄	565	22 ¹ / ₄	565	22	559	22	559	22 ¹ / ₄	565
D	7 ³ / ₄	197	7 ³ / ₄	197	8	203	9 ¹ / ₂	241	13 ¹ / ₂	343
E	12	305	13 ³ / ₈	340	14 ⁵ / ₈	371	17 ¹ / ₄	438	17 ³ / ₄	451
F	24 ¹ / ₈	613	24 ¹ / ₈	613	24 ¹ / ₄	616	24 ¹ / ₄	616	24 ¹ / ₈	613
G	4 ³ / ₄	121	4 ¹ / ₂	114	4 ⁷ / ₈	124	3 ⁷ / ₈	98	3 ⁷ / ₈	98



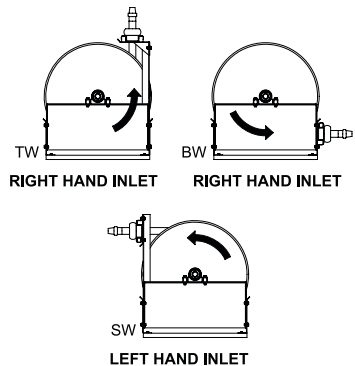
Meets or exceeds military vibration for Truck Transport test MIL-STD-810F 500,000 mile equivalent

Additional Series 9000 Models
S.S. Fluid Path - Page 18
Fuel Delivery - Page 20

Model with hose & bumper	Shipping Weight		Hose I.D.		Hose O.D.		Hose Length		Max Pressure		NPT(M) Hose Outlet	NPT(F) Reel Inlet	NPT(F) Reel Outlet	Size Index #
	lbs	kg	in	mm	in	mm	ft	m	psi	bar	in	in	in	
Low Pressure Air/Water Reels Maximum Temperature 150 °F (65 °C) Max working pressure is at 70 °F (20 °C)														
E9350 OLPBW	140	64	3/4	19	1.075	27	50	15	250	17	3/4	3/4	3/4	1
E9375 OLPBW	152	69	3/4	19	1.075	27	75	23	250	17	3/4	3/4	3/4	1
E9399 OLPBW	143	65	3/4	19	1.075	27	100	30	250	17	3/4	3/4	3/4	2
E9450 OLPBW	157	71	1	25	1.375	35	50	15	250	17	3/4	1	1	1
Medium Pressure Oil Reels Maximum Temperature 210 °F (99 °C)														
E9350 OMPBW	142	64	3/4	19	1.188	30	50	15	1250	86	3/4	3/4	3/4	1

Low pressure reels supplied with PVC hose. Medium pressure reels supplied with S.A.E. 100R1-AT (3/4") one wire braid hose.

Hose Guide Roller Position



Reels are shipped in the bottom wind (BW) position. Kits are available for top wind (TW) and side wind (SW) position. Contact Reelcraft for more information.

Model without hose & bumper	Shipping Weight		Hose Capacity				Max Pressure	NPT(F) Reel Inlet	NPT(F) Reel Outlet	Size Index #			
	lbs	kg	I.D.	O.D.	Length								
Low Pressure Air/Water Reels Maximum Temperature 210 °F (99 °C)													
E9305 OLPBW	115	52	3/4	19	1.075	27	100	30	500	35	3/4	3/4	2
E9400 OLPBW	115	52	1	25	1.375	35	50	15	500	35	1	1	1
FF9600 OLPBW ★	135	61	1 1/2	38	2.000	51	50	15	600	41	1 1/2	1 1/2	5
G9600 OLPBW*	157	71	1 1/2	38	2.000	51	50	15	600	41	1 1/2	1 1/2	4
Medium Pressure Oil Reels Maximum Temperature 210 °F (99 °C)													
E9300 OMPBW	117	53	3/4	19	1.188	30	50	15	3000	207	3/4	3/4	1
G9300 OMPBW*	160	73	3/4	19	1.188	30	75	23	3000	207	3/4	1	3
E9400 OMPBW	120	54	1	25	1.480	38	50	15	3000	207	1	1	1
G9400 OMPBW*	159	72	1	25	1.480	38	75	23	3000	207	1	1	3



Interactive Reel Catalog

Visit reelcraft.com/catalog for complete product specifications, parts, and accessories.



Hose Assemblies & Bumper Stops

See pages 36-37



Roller Guide Kits

See page 38

Twin Hose, Spring Retractable Reels Dual Hydraulic - 1/4", 3/8", 1/2" I.D.

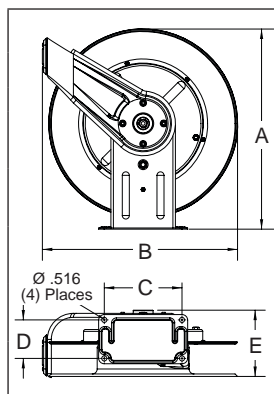
- Used for medium pressure, dual hydraulic hose applications
- Ideal for operating hydraulic cylinders, tools, and equipment
- Incorporates contemporary engineering and manufacturing techniques to give a trouble-free performance
- Declutching arbor virtually eliminates the possibility of spring damage due to reverse winding
- Constant tension or pos-i-latch spool mechanism
- Hose specifications - polyester elastomer tube with proprietary polyurethane blend, perforated black cover
- Individually powder coated components offer the maximum protection from premature corrosion
- All-steel construction and compact for applications with critical space requirement



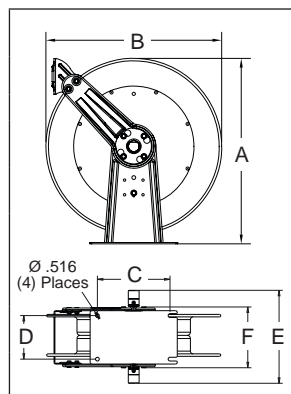
TH88050 OMP



THA7630 OMP



	Size Index			
	1		2	
	in	mm	in	mm
A	20 ¹ / ₄	514	20 ¹ / ₄	514
B	19 ³ / ₄	502	19 ³ / ₄	502
C	7 ⁷ / ₈	200	7 ⁷ / ₈	200
D	3 ⁷ / ₈	98	3 ⁷ / ₈	98
E	7 ³ / ₄	197	8 ¹ / ₂	216



	Size Index	
	3	
	in	mm
A	25 ³ / ₈	645
B	24	610
C	10	254
D	6	152
E	12 ⁷ / ₈	327
F	8 ¹ / ₈	206

Meets or exceeds military vibration for Truck Transport test MIL-STD-810F 500,000 mile equivalent

TH5400 OMP not included

Model with hose & bumper	Shipping Weight		Hose I.D.		Hose O.D.		Hose Length		Max Pressure		NPT(M) Hose Outlet	NPT(F) Reel Inlet	Reel Outlet	Size Index #
	lbs	kg	in	mm	in	mm	ft	m	psi	bar	in	in	in	
Medium Pressure Hydraulic Reels Maximum Temperature 210 °F (99 °C)														
THA7630 OMP	53	24	3/8	6	.660	17	30	9	2000	138	3/8	3/8	9/16-18 JIC(M)	1
TH86050 OMP	99	45	3/8	10	.710	18	50	15	2000	138	3/8	3/8	3/8 NPT(F)	3
THA7825 OMP	57	26	1/2	13	.850	22	25	8	2000	138	3/4 JIC(F)	1/2	3/4 JIC(M)	1
TH88050 OMP ★	104	47	1/2	13	.850	22	50	15	2000	138	1/2	1/2	1/2" NPT(F)	3

Models with a ★ icon are our most popular models.

Model without hose & bumper	Shipping Weight		Hose Capacity			Max Pressure	NPT(F) Reel Inlet	Reel Outlet	Size Index #				
	lbs	kg	I.D.	O.D.	Length								
			in	mm	in	mm	ft	m					
Medium Pressure Hydraulic Reels Maximum Temperature 210 °F (99 °C)													
TH5400 OMP	24	11	1/4	6	.530	13	25	8	3000	207	1/4	1/4 NPT(F)	*
THA7600 OMP	44	20	3/8	10	.660	17	30	9	3000	207	3/8	9/16-18 JIC(M)	1
THA7800 OMP	50	23	1/2	13	.850	22	25	8	3000	207	1/2	3/4 JIC(M)	1
TH88000 OMP ★	88	40	1/2	13	.850	22	50	15	3000	207	1/2	1/2" NPT(F)	3

*See page 10 size index 1



Visit reelcraft.com/catalog for complete product specifications, parts, and accessories.



See page 39

Spring Retractable Potable Water/Pre-Rinse Reels

Water - 3/8", 1/2" I.D.



Potable Water

- Stainless steel, full flow shaft and CPVC swivel
- Suitable for use as a drinking water system component (does not include NSF/ANSI 61 Certification)
- Maximum operating temperature 73 °F (23 °C)

Pre-Rinse

- Lever-operated spray valve is included
- Optional 360° rotating swivel (600248) offers 20° of angular motion
- Push-Lok®, field replaceable, hose end fittings
- Rated for hot water up to 180 °F (82 °C)



A5835 OLBSW23



Pre-Rinse Spray Valve
S600080

Model with hose & bumper	Shipping Weight		Hose I.D.		Hose O.D.		Hose Length		Max Pressure		NPT(M) Reel Inlet	NPT(F) Reel Outlet	Size Index Page	Size Index #
	lbs	kg	in	mm	in	mm	ft	m	psi	bar	in	in		
Potable (Drinking) Water Hose Reel Garden-style hose end. Maximum temperature 73 °F (23 °C)														
A5835 OLBSW23	28	13	1/2	13	.781	20	35	11	150	10	1/2	3/8	10	1



Interactive Reel Catalog

Visit reelcraft.com/catalog for complete product specifications, parts, and accessories.

Model with hose & bumper	Shipping Weight		Hose I.D.		Hose O.D.		Hose Length		Max Pressure		NPT(M) Hose Outlet	NPT(F) Reel Inlet	NPT(F) Reel Outlet	Size Index Page	Size Index #
	lbs	kg	in	mm	in	mm	ft	m	psi	bar	in	in	in		
Pre-Rinse Hose Reels Maximum temperature 180 °F (82 °C)															
5635 OLPSW5	27	12	3/8	10	.660	17	35	11	125	9	3/8	3/8	1/4	10	1



Pivot Bases & Swing Brackets

See page 39

Stainless Steel Fluid Path Hose Reels

1/2", 3/4", 1" I.D.

- Offers another level of protection in corrosive environments
- Stainless steel swivel and stainless steel main shaft - all components in contact with media
- Cast aluminum ratchet and latch pawl provide reliability and durability
- By design, the ratchet and latch pawl are substantially thicker than competing reels to reduce wear and increase service life
- Steel components are individually powder coated prior to assembly to maximize corrosion resistance
- Standard seals are FKM



HD79005 OLB



Model without hose & bumper	Shipping Weight		Hose Capacity			Max Pressure	NPT(F) Reel Inlet	NPT(F) Reel Outlet	Size Index Page	Size Index #				
	lbs	kg	I.D.	O.D.	Length									
Low Pressure Air/Water Reels Maximum Temperature 210 °F (99 °C)														
HD78005 OLB	54	24	1/2	13	.750	19	75	23	500	35	1/2	1/2	13	2
HD79005 OLB	54	24	3/4	19	1.075	27	50	15	500	35	3/4	3/4	13	2
E9305 OLB BW	115	52	3/4	19	1.075	27	100	30	500	35	3/4	3/4	16	2
E9400 OLB BW	115	52	1	25	1.375	35	50	15	500	35	1	1	16	1



Roller Guide Kits

See page 38



Pivot Bases & Swing Brackets

See page 39

Stainless Steel Hose Reels

Air/Water/Oil - 3/8", 1/2", 3/4", 1" I.D.

- Constructed from electropolished 304L stainless steel
- Ideal for food processing, pre-rinse, wash down, chemical transfer, and industrial-solvent handling
- Stainless steel components offer the maximum protection from premature corrosion
- Suitable for coastal, offshore, and on-board ships in marine applications where the harsh environment requires the use of stainless steel
- Swivel seals include FKM O-rings (7600 OMS55 includes EPR O-rings)



7800 OLS



83000 OLS

Spring Retractable Reels Note: Standard latch parts are made from aluminum. Series 80000 and D80000 stainless reels have an aluminum fluid path. The -S models include stainless latch parts and fluid path (OLS-S).

Manual Crank Reels Note: The Series HS models include aluminum hubs and bronze bushings.



Interactive Reel Catalog

Visit reelcraft.com/catalog for complete product specifications, parts, and accessories.

Model without hose & bumper	Shipping Weight		Hose Capacity				Max Pressure	NPT(F) Reel Inlet	NPT(F) Reel Outlet	Size Index Page	Size Index #			
	lbs	kg	I.D.		O.D.							Length		
			in	mm	in	mm	ft	m	psi	bar	in	in		
Spring Retractable Low Pressure Air/Water Reels Maximum Temperature 210 °F (99 °C)														
81000 OLS-S	77	35	3/8	10	.600	15	100	30	500	35	1/2	1/2	14	1
7800 OLS ★	41	19	1/2	13	.750	19	50	15	500	35	1/2	1/2	12	---
7800 OLS-S	41	19	1/2	13	.750	19	50	15	500	35	1/2	1/2	12	---
82000 OLS	81	37	1/2	13	.750	19	100	30	500	35	1/2	1/2	14	1
82000 OLS-S	81	37	1/2	13	.750	19	100	30	500	35	1/2	1/2	14	1
83000 OLS ★	81	37	3/4	19	1.188	30	50	15	500	35	3/4	3/4	14	1
83000 OLS-S	81	37	3/4	19	1.188	30	50	15	500	35	3/4	3/4	14	1
D83000 OLS	84	38	3/4	19	1.188	30	75	23	500	35	3/4	3/4	14	2
D83000 OLS-S	84	38	3/4	19	1.188	30	75	23	500	35	3/4	3/4	14	2
D84000 OLS	92	42	1	25	1.375	35	50	15	500	35	1	1	14	3
D84000 OLS-S	92	42	1	25	1.375	35	50	15	500	35	1	1	14	3
Spring Retractable Medium Pressure Oil Reels Maximum Temperature 210 °F (99 °C)														
7600 OMS55	42	19	3/8	10	.710	18	66	20	3000	207	3/8	3/8	12	---
81000 OMS-S	83	38	3/8	10	.710	18	100	30	1500	103	1/2	1/2	14	1
7800 OMS	43	20	1/2	13	.850	22	50	15	3000	207	1/2	1/2	12	---

Models with a ★ icon are our most popular models.



Hose Assemblies & Bumper Stops
See pages 36-37



HS18000 M

Model without hose & bumper	Shipping Weight		Pressure	NPT(F) Outlet	NPT(F) Inlet	I.D.	1/4		3/8		1/2		3/4		1"		
	lbs	kg					psi	bar	in	in	in	in	in	in	in	in	in
Hand Crank Medium Pressure Reels Maximum temperature 210 °F (99 °C)																	
HS18000 M	36	16	3000	207	1/2	1/2	Hose Capacity	425	130	300	91	200	61	---	---	---	---
HS19000 M	38	17	3000	207	3/4	3/4		425	130	300	91	200	61	75	23	---	---

Refer to reelcraft.com for dimensions.

Spring Retractable Fuel Hose Reels



3/4", 1", 1 1/2" I.D.

- Ideal for mobile and permanent-mount applications
- Suitable for a wide variety of fuel applications including E85 (not recommended for jet fuel)
- Incorporates metal forms to ensure the greatest possible strength
- Equipped with Viton seals
- Latch and ratchet are made of heavy duty cast aluminum to limit the opportunity for premature wear
- Reels are all supplied with our ball-bearing style swivel



F7925 OLP

Model with hose & bumper	Shipping Weight		Hose I.D.		Hose O.D.		Hose Length		Max Pressure		NPT(M) Hose Outlet	NPT(F) Reel Inlet	NPT(F) Reel Outlet	Size Index Page	Size Index #
	lbs	kg	in	mm	in	mm	ft	m	psi	bar	in	in	in		
Low Pressure Fuel Reels Maximum Temperature 150 °F (65 °C)															
F7925 OLP ★	47	21	3/4	19	1.188	30	25	8	*50	3	3/4	3/4	3/4	12	---
FHD79035 OLP	79	36	3/4	19	1.188	30	35	11	*50	3	3/4	3/4	3/4	13	2
F83050 OLP	89	40	3/4	19	1.188	30	50	15	*50	3	3/4	3/4	3/4	14	1
FD83075 OLP	115	52	3/4	19	1.188	30	75	23	*50	3	3/4	3/4	3/4	14	2
FD84035 OLP	94	43	1	25	1.500	38	35	11	*50	3	1	1	1	14	3
FD84050 OLP ★	115	52	1	25	1.500	38	50	15	*50	3	1	1	1	14	3
FSD14050 OLP	127	58	1	25	1.500	38	50	15	*50	3	1	1	1	refer to reelcraft.com	1
FE9450 OLPBW	157	71	1	25	1.500	38	50	15	*50	3	1	1	1		

*Models supplied with UL330 and cUL Nitrile synthetic rubber (ORS) hose. 250 psi minimum burst (17 Bar). Flow rates of fuel hose are reduced by 30% with addition of internal spring type bend restrictors. For example, flow rate of F7925 OLP with internal bend restrictors is 9.0 GPM at 40 psi; flow without internal bend restrictors is 13.0 GPM at 40 psi.



Interactive Reel Catalog

Visit reelcraft.com/catalog for complete product specifications, parts, and accessories.

Models with a ★ icon are our most popular models.

Model without hose & bumper	Shipping Weight		Hose Capacity			Max Pressure	NPT(F) Reel Inlet	NPT(F) Reel Outlet	Size Index Page	Size Index #				
	lbs	kg	I.D.	O.D.	Length									
Low Pressure Fuel Reels Maximum Temperature 210 °F (99 °C)														
F7900 OLP	45	20	3/4	19	1.188	30	25	8	500	35	3/4	3/4	12	---
F83000 OLP	74	34	3/4	19	1.188	30	50	15	500	35	3/4	3/4	14	1
FD83000 OLP	82	37	3/4	19	1.188	30	75	23	500	35	3/4	3/4	14	2
FD84000 OLP	84	38	1	25	1.500	38	50	15	500	35	1	1	14	3
FE9400 OLPBW	115	52	1	25	1.500	38	50	15	500	35	1	1	16	1
FF9600 OLPBW ★	135	61	1 1/2	38	2.000	51	50	15	600	41	1 1/2	1 1/2	16	5



Roller Guide Kits

See page 38



Pivot Bases & Swing Brackets

See page 39

Hose Assemblies	Hose I.D.		Hose O.D.		Hose Length		Max Pressure		End Fittings	Shipping Weight	
	in	mm	in	mm	ft	m	psi	bar	in - NPT(M)	lbs	kg
Low Pressure Fuel Inlet Hose 4 spiral poly yarn braid											
S600451-2	1	25	1.500	38	2	0.6	50	3	1 x 1	1.7	0.8
Low Pressure Fuel Outlet Hoses 4 spiral poly yarn braid											
S600160-1	3/4	19	1.188	30	25	8	50	3	3/4 x 3/4	17.5	7.9
S600160-4	3/4	19	1.188	30	35	11	50	3	3/4 x 3/4	24.5	11.1
S600160-2	3/4	19	1.188	30	50	15	50	3	3/4 x 3/4	35.0	15.9
S600160-3	3/4	19	1.188	30	75	23	50	3	3/4 x 3/4	52.5	23.8
S600451-35	1	25	1.500	38	35	11	50	3	1 x 1	30.0	13.6
S600451-50	1	25	1.500	38	50	15	50	3	1 x 1	42.0	19.1

Caution: Be sure working pressure required does not exceed above ratings. Misapplication can result in serious operator injury.



S600451-35



S600160-2

Spring Retractable DEF Hose Reels



1/2", 3/4" I.D.

- Designed to aid in the dispensing of Diesel Exhaust Fluid (DEF) for late model diesel engines
- These reels are an integral part of emerging DEF service stations in marinas, truck stops, and garages
- Internal fluid path parts are made from 304L grade stainless steel and feature FKM O-rings
- Steel stampings are engineered with structural forms to give added strength and rigidity
- Models with hose include DEF dispensing hose with stainless steel fittings and NPT threads



UR7850 OLB

Model with hose & bumper	Shipping Weight		Hose I.D.		Hose O.D.		Hose Length		Max Pressure		NPT(M) Hose Outlet	NPT(F) Reel Inlet	NPT(F) Reel Outlet	Size Index Page	Size Index #
	lbs	kg	in	mm	in	mm	ft	m	psi	bar	in	in	in		
Low Pressure DEF Reels Maximum Temperature 150 °F (65 °C)															
UR7850 OLB	51	23	1/2	13	.844	22	50	15	300	21	1/2	1/2	1/2	12	---
UR7925 OLB	53	24	3/4	19	1.13	29	25	8	300	21	3/4	3/4	3/4	12	---
UR83050 OLB	93	42	3/4	19	1.13	29	50	15	300	21	3/4	3/4	3/4	14	1



Interactive Reel Catalog

Visit reelcraft.com/catalog for complete product specifications, parts, and accessories.



Pivot Bases & Swing Brackets

See page 39



Hose Bumper Stops

See page 36

Model without hose & bumper	Shipping Weight		Hose Capacity			Max Pressure		NPT(F) Reel Inlet	NPT(F) Reel Outlet	Size Index Page	Size Index #			
	lbs	kg	I.D.	O.D.	Length	psi	bar	in	in					
Low Pressure Air/Water Reels Maximum Temperature 210 °F (99 °C)														
UR7800 OLB	44	20	1/2	13	.844	22	50	15	500	35	1/2	1/2	12	---
UR7900 OLB	44	20	3/4	19	1.13	29	25	8	500	35	3/4	3/4	12	---

Static Discharge / Bonding Reels

- Used to bond equipment operating in hazardous atmospheres
- Dissipates static electrical buildup, reducing the chances of sparking and the potential for explosion
- Made from industrial grade carbon steel
- Reels require little mounting space for applications where space is a critical requirement
- Easily adjust spring tension – loosening two screws allows user to add or remove spring tension (except GHC3100 N)



G 3050



GHC3100 N

Model	Cable Extended		Clamp Rating	Rewind Method	Max Temp		Cable Notes	Shipping Weight	
	ft	m			°F	°C		lbs	kg
G 3050	50	15	100 AMP	Spring	150	66	Single 7 x 7 stranded steel*	12	5
G 3050 Y	50	15	100 AMP	Spring	150	66	35' (9.2m) plus dual 15' (4.6m) for Y* Total extension 50' (15m)	12	5
G 3050 N	50	15	100 AMP	Spring	150	66	Hi-vis orange nylon covered cable**	12	5
GA3100 N	100	30	100 AMP	Spring	125	52	Hi-vis orange nylon covered cable**	16	7
GHC3100 N	100	30	100 AMP	Hand Crank	125	52	Hi-vis orange nylon covered cable**	12	5

*3/32" OD aircraft cable. DC resistance is approximately one ohm per 50 ft. of cable. **Nylon covered cable (1/8" O.D.). Refer to reelcraft.com for dimensions.

Spring Retractable, Hand Crank, Motor Driven Hose Reels

Water - 1/4", 3/8", 1/2" I.D.

- Compact design and quality steel construction
- The high pressure water swivel is designed to handle a broad range of pressures, temperatures, and chemicals
- Ideal for agricultural, marine, equipment cleaning, and pressure washing applications
- Individually powder coated components offer maximum protection from premature corrosion
- Models without hose are rated up to 5000 PSI
- Full flow swivel combines the highest grade seal design and materials with bearing areas to ensure maximum service life
- Available in hand crank, spring driven, or electric motor driven models



CT6100HN



PW7650 OHP



CA38106 M

Models with a ★ icon are our most popular models.

	in	mm	in	mm	in	mm	Shipping Weight	Max Pressure	NPT(F) Reel Inlet	NPT(F) Reel Outlet	Size Index Page	Size Index #		
Hose I.D.	1/4	6	3/8	10	1/2	13								
Hose O.D.	.530	13	.730	19	.850	22								
Model	Hose Length						lbs	kg	psi	bar	in	in		
without hose	ft	m	ft	m	ft	m								
Manual Hand Crank Pressure Wash Reels Maximum Temperature 210 °F (99 °C)														
CT6050HN	---	---	50	15	---	---	13	6	5000	345	1/2	3/8	---	1
CT6100HN	---	---	100	30	---	---	17	8	5000	345	1/2	3/8	---	2
CA38106 M	200	61	140	43	100	30	41	19	5000	345	1/2	1/2	25	---
CA38112 M	425	130	300	91	200	61	46	21	5000	345	1/2	1/2	25	---
Electric Motor Driven Pressure Wash Reels Maximum Temperature 212 °F (100 °C)														
EA38106 M12D	200	61	140	43	100	30	63	29	5000	345	1/2	1/2	25	---
EA38112 M12D	425	130	300	91	200	61	71	32	5000	345	1/2	1/2	25	---

PSI rating based upon 2.4 to 1 safety factor.

Model with hose & bumper	Shipping Weight		Hose I.D.		Hose O.D.		Hose Length		Max Pressure	NPT(M) Hose Outlet	NPT(F) Reel Inlet	NPT(F) Reel Outlet	Size Index Page	Size Index #	
	lbs	kg	in	mm	in	mm	ft	m							psi
Spring Retractable Pressure Wash Reels Maximum Temperature 210 °F (99 °C)															
PW7650 OHP ★	60	27	3/8	10	.730	19	50	15	4800	331	1/4	1/2	3/8	12	---
PWD76075 OHP	90	41	3/8	10	.730	19	75	23	4800	331	1/4	1/2	3/8	13	2
PW81100 OHP	119	54	3/8	10	.730	19	100	30	4800	331	3/8	1/2	3/8	14	1

PSI rating based upon 2.4 to 1 safety factor.

Model without hose & bumper	Shipping Weight	Hose Capacity			Max Pressure	NPT(F) Reel Inlet	NPT(F) Reel Outlet	Size Index Page	Size Index #					
		I.D.	O.D.	Length										
	lbs	kg	in	mm	in	mm	ft	m	psi	bar	in	in		
Spring Retractable Pressure Wash Reels Maximum Temperature 210 °F (99 °C)														
PW7600 OHP	43	20	3/8	10	.730	19	50	15	5000	345	1/2	3/8	12	---
PW81000 OHP ★	86	39	3/8	10	.730	19	100	30	5000	345	1/2	3/8	14	1

PSI rating based upon 2.4 to 1 safety factor.

Dimensions				
	1		2	
	in	mm	in	mm
A	15 ⁵ / ₈	397	15 ⁵ / ₈	397
B	13 ¹ / ₄	337	13 ¹ / ₄	337
C	3 ¹ / ₂	89	3 ¹ / ₂	89
D	4 ¹ / ₄	108	4 ¹ / ₄	108
E	15 ¹ / ₂	394	19 ¹ / ₂	495
F	6	152	6	152

 **Interactive Reel Catalog**

Visit reelcraft.com/catalog for complete product specifications, parts, and accessories.

 **High Pressure Hose Assemblies & Bumper Stops**

See pages 36-37

Spring Retractable Hose Reels

Water - 1/2", 5/8", 3/4" I.D.

- Most models include outlet hose with brass on/off ball valve, bumper, and inlet hose providing a reel solution out of the box
 - Comes equipped with garden hose end fittings
 - Guide arm is easily adjustable to numerous positions
- All steel parts are individually powder-coated for maximum corrosion resistance
 - Designed to be mounted centrally and used for watering and washdown
 - Reel components are made from industrial-grade steel



GCD83075 OLP



Interactive Reel Catalog

Visit reelcraft.com/catalog for complete product specifications, parts, and accessories.



Pivot Bases & Swing Brackets
See page 39



Hose Assemblies & Bumper Stops
See pages 36-37

Model with hose & bumper	Shipping Weight		Hose I.D.		Hose O.D.		Hose Length		Pressure		GH(M) Hose Outlet	GH(F) Reel Inlet	Inlet Hose (included)	Size Index Page	Size Index #
	lbs	kg	in	mm	in	mm	ft	m	psi	bar	in	in			
Low Pressure Air/Water Reels Maximum temperature 150 °F (65 °C)															
7850 OLPSW57 ★	51	24	1/2	13	.810	21	50*	15	150	21	3/4	1/2 NPT	-----	12	----
GC7535 OLP	53	24	5/8	16	1.00	26	35	11	150	18	3/4	3/4	S600830-10	12	----
GC82075 OLP	88	40	1/2	75	.750	19	75	23	150	18	3/4	3/4	S601025-8	14	1
GCD85100 OLP	101	46	5/8	16	1.00	26	100	31	150	18	3/4	3/4	S600830-10	14	2
GC83050 OLP	89	41	3/4	19	1.075	27	50	15	150	18	3/4	3/4	S600830-10	14	1
GCD83075 OLP	102	46	3/4	19	1.075	27	75	23	150	18	3/4	3/4	S600830-10	14	2

*50 ft. hose assembly is yellow; does not include ball valve or inlet hose.

Portable Hose Reel and Cart

Water - 1/2", 3/4", 1" I.D.

- Series 30000 reels mounted on a portable cart are designed for rugged, heavy-duty applications requiring long lengths of hose and large storage capacity



600965

Additional Hoses

1" ID x 100', 1" NPT x 1" NPSH: **S600982-100**
 3/4" ID x 150', 3/4" NPT x 1" NPSH: **S601044-150**
 1" ID x 10', 1" NPT x 1" NPSH: **S600982-10**

Garden Fitting Conversion Kits

1/2" NPTM x 3/4" GH: **S260729**
 3/4" NPTM x 3/4" GH: **S261702**

Hose Reel and Cart Packages	
Package	Items Included
600965	1/2" x 200' hand crank hose reel (CA32112 L); 12" hand cart with pneumatic tires (600741-1); 5/8" x 10' PVC inlet hose (600962)
600966	1/2" x 200' hand crank hose reel (CA32112 L); 12" hand cart with semi-pneumatic tires (600741-2); 5/8" x 10' PVC inlet hose (600962)
600968	1" x 100' hand crank hose reel (CH37118 L); 18" hand cart with pneumatic tires (600885-1); 1" x 10' PVC inlet hose (S600982-10)

Refer to page 25 for Series 30000 hose reel dimensions and specifications.

	600741-1	600885-1	
	600741-2	600885-2	
	Reel Size	12"	18"
		in mm	in mm
A	Adjustable*		
B	23 ³ / ₄ 603	28 ³ / ₄ 730	
C	18 ¹ / ₄ 464	18 ¹ / ₄ 464	

*Handle height of cart is adjustable to 35⁵/₈", 38⁵/₈", 41¹/₂" or 44¹/₂". Eight 5/16" (8mm) diameter mounting holes.

Light Duty Hand Crank Hose Reels

Air/Water - 3/8", 1/2" I.D.

- Designed for lighter-duty applications that require longer lengths of low pressure hose
- Incorporates a balanced brass swivel, brass inlet, lighter weight components, and forward-thinking design
- All reels feature a drag break to prevent de-spooling when reel is not in use

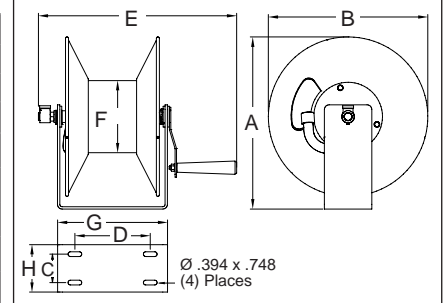


CU6050LN

Additional Series C Models
Pressure Wash Reels - Page 22

Dimensions								
	1		2		3		4	
	in	mm	in	mm	in	mm	in	mm
A	11 ¹ / ₂	292	11 ¹ / ₂	292	14 ³ / ₈	365	14 ³ / ₈	365
B	10 ¹ / ₂	267	10 ¹ / ₂	267	13 ¹ / ₄	337	13 ¹ / ₄	337
C	2	51	2	51	2 ³ / ₈	60	2 ³ / ₈	60
D	6 ⁵ / ₈	168	11 ¹ / ₈	283	6 ¹ / ₄	159	10 ¹ / ₄	260
E	16 ³ / ₄	425	21 ¹ / ₈	537	16 ³ / ₄	425	20 ⁷ / ₈	530
F	4	102	4	102	6	152	6	152
G	9 ³ / ₈	238	13 ⁷ / ₈	352	9 ¹ / ₄	235	13 ¹ / ₄	337
H	3 ³ / ₈	86	3 ³ / ₈	86	4	102	4	102

Model without hose	Shipping Weight		Hose Capacity				Max Pressure	NPT(F) Reel Inlet	NPT(F) Reel Outlet	Size Index Page	Size Index #			
	lbs	kg	I.D.	O.D.	Length	psi						bar		
Low Pressure Air/Water Reels Maximum Temperature 150 °F (65 °C)														
CU6050LN	12	5	3/8	10	.600	15	50	15	300	21	3/8	3/8	----	1
CT6050LN	13	6	3/8	10	.600	15	50	15	300	21	3/8	3/8	22	1
CU6100LN	16	7	3/8	10	.600	15	100	30	300	21	1/2	1/2	----	2
CU8050LN	13	6	1/2	13	.750	19	50	15	300	21	1/2	1/2	----	3
CU8100LN	20	9	1/2	13	.750	19	100	30	300	21	1/2	1/2	----	4



Hand Crank and Motor Driven Reels

Series 30000 - Air/Water/Oil - 1/2", 3/4", 1" I.D.

- Designed for rugged applications requiring long lengths of hose and large storage capacity
- All-bolted unitized construction with no welds to fatigue, full flow swivel, and heavy gauge steel frame, spool, and drum ensure longest service life
- The T-handle tensioning device allows proper tension to be applied to the spool to eliminate the free spooling of the reel
- Vibration-proof, self-locking fasteners are ideal for industrial use or field use such as turf care or pest control
- Optional lock pin to prevent spool rotation when the reel is not in use, S600874



Removable gooseneck makes hose installation easy.



Hand Crank
CA32112 L



Motor Driven
EA32112 L12D



Rewind Motors & Operating Switches
See page 38

Roller Guide Assemblies
See page 39

Interactive Reel Catalog

Visit reelcraft.com/catalog for complete product specifications, parts, and accessories.

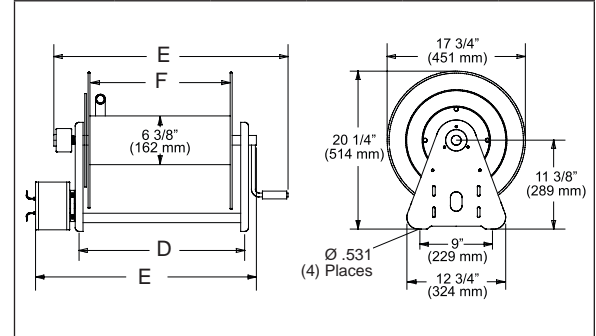
Premium Duty Hand Crank / Motor Driven Reels | Series 30000

E **A** **3** **3** **1** **06** **L** **12D**

Drive Type	Swivel Size	Width of Spool	Motor Voltage/H.P.
A - Air motor B - Bevel crank C - Hand crank E - Electric motor	2 - 1/2" (13 mm) I.D. 3 - 3/4" (19 mm) I.D. 6 - 1/4" (6 mm) Dual 7 - 1" (25 mm) I.D. 8 - 1/2" (13 mm) I.D. pressure wash	See "F" Dimension 06 - 6" (152 mm) 12 - 12" (305 mm) 18 - 18" (457 mm)	Blank 12D - 12 V DC 4A - 1/2 HP air motor
Fluid Path Type	Pressure		
A - Gooseneck H - Heavy duty gooseneck (1" only)	L - 1000 PSI (69 bar) M - 3000 PSI (207 bar)		

NOTE: Chart is for reference only. Not all options available in every combination. Reels cannot be ordered by selecting from this chart.

Hose I.D.	1/4"	3/8"	1/2"	3/4"	1"
	6 mm	10 mm	13 mm	19 mm	25 mm
Hose O.D.	.530"	.710"	.850"	1.188"	1.375"
	13 mm	18 mm	22 mm	30 mm	35 mm
"F" Width	Hose Capacity				
6"	200'	140'	100'	50'	N/A
152 mm	61 m	43 m	30 m	15 m	
12"	425'	300'	200'	100'	50'
305 mm	130 m	91 m	61 m	30 m	15 m
18"	625'	450'	325'	175'	100'
457 mm	191 m	137 m	99 m	54 m	31 m



Additional Series 30000 Models

Pressure Wash - Page 22 **Welding Gas** - Page 33

Hose Reel Cart - Page 23

Models with a ★ icon are our most popular models.

Model without hose & bumper	Shipping Weight		Hose Capacity				Max Pressure		NPT(F) Reel Inlet	NPT(F) Reel Outlet	D		E		F			
	lbs	kg	I.D.	O.D.	Length		psi	bar	in	in	in	mm	in	mm	in	mm		
Manual Hand Crank Hose Reels Maximum Temperature 210 °F (99 °C)																		
CA32106 L	40	18	1/2	13	.750	19	100	30	1000	69	1/2	1/2	9 3/4	248	19 3/4	502	6	152
CA32112 L ★	46	21	1/2	13	.750	19	200	61	1000	69	1/2	1/2	15 3/4	400	25 3/4	654	12	305
CA32118 L	51	23	1/2	13	.750	19	325	99	1000	69	1/2	1/2	21 3/4	552	31 3/4	806	18	457
CA32106 M	42	19	1/2	13	.850	22	100	30	3000	207	1/2	1/2	9 3/4	248	19 3/4	502	6	152
CA32112 M	46	21	1/2	13	.850	22	200	61	3000	207	1/2	1/2	15 3/4	400	25 3/4	654	12	305
CA32118 M	52	24	1/2	13	.850	22	325	99	3000	207	1/2	1/2	21 3/4	552	31 3/4	806	18	457
CA33106 L	41	19	3/4	19	1.075	27	50	15	1000	69	3/4	3/4	9 3/4	248	19 3/4	502	6	152
CA33112 L ★	46	21	3/4	19	1.075	27	100	30	1000	69	3/4	3/4	15 3/4	400	25 3/4	654	12	305
CA33118 L	51	23	3/4	19	1.075	27	175	53	1000	69	3/4	3/4	21 3/4	552	31 3/4	806	18	457
CA33112 M	47	21	3/4	19	1.188	30	100	30	3000	207	3/4	3/4	15 3/4	400	25 3/4	654	12	305
CA33118 M	51	23	3/4	19	1.188	30	175	53	3000	207	3/4	3/4	21 3/4	552	31 3/4	806	18	457
CH37112 L*	60	27	1	25	1.375	35	50	15	1000	69	1	1	15 3/4	400	25 3/4	654	12	305
CH37118 L*	64	29	1	25	1.375	35	100	30	1000	69	1	1	21 3/4	552	31 3/4	806	18	457
Electric Motor Driven Hose Reels Maximum Temperature 210 °F (99 °C)																		
EA32106 L12D	60	27	1/2	13	.750	19	100	30	1000	69	1/2	1/2	9 3/4	248	19 5/8	498	6	152
EA32112 L12D	64	29	1/2	13	.750	19	200	61	1000	69	1/2	1/2	15 3/4	400	23 7/8	606	12	305
EA32118 L12D	68	31	1/2	13	.750	19	325	99	1000	69	1/2	1/2	21 3/4	552	29 5/8	752	18	457
EA33106 L12D	63	29	3/4	19	1.075	27	50	15	1000	69	3/4	3/4	9 3/4	248	19 5/8	498	6	152
EA33112 L12D	68	31	3/4	19	1.075	27	100	30	1000	69	3/4	3/4	15 3/4	400	23 7/8	606	12	305
EA33118 L12D ★	68	31	3/4	19	1.075	27	175	53	1000	69	3/4	3/4	21 3/4	552	29 5/8	752	18	457
EH37118 L12D*	82	37	1	25	1.375	35	100	30	1000	69	1	1	21 3/4	552	31	787	18	457
Air Motor Driven Hose Reels Filter, regulator, lubricator required. Maximum Temperature 210 °F (99 °C)																		
AA32106 L4A	54	24	1/2	13	.750	19	100	30	1000	69	1/2	1/2	9 3/4	248	17 1/4	438	6	152

CAUTION: To prevent drum damage fully extend and pressurize hose and rewind on the reel. *All 1 in. reel models have an 8 in. (203 mm) diameter drum.

Many more reel models available in addition to chart. Refer to reelcraft.com for details.

Reelcraft: Safer by Design

Adjustable Bumper Stop

Allows any desired length of cord to be maintained outside the reel.

Corrosion-Resistant

Steel components are individually powder coated to virtually eliminate corrosion.

Reelcraft offers many styles of outlets and lamps

- Single receptacle
- Twist lock
- Duplex outlet box
- Triple tap
- Quad outlet box
- Reverse plug
- Flying lead
- LED

Easy to Mount

Attaches to most structurally sound surfaces. Edges are curved for safety.

Note: Swing brackets should be used if cords are pulled at more than 45°, see page 39.



Adjustable Guide Arm

Multiple guide arm positions for versatile uses and easier field adjustment.

Enclosed Drive Spring

Drive mechanism is enclosed for protection against the environment.

Long Life Drive Spring

Declutching arbor virtually eliminates possibility of spring damage due to reverse winding of reel spool.

Structural Strength

Robotically welded heavy gauge steel frame.

Shown: L 4545 123 3



Model Number Significance

This chart is for reference purposes only. Reels cannot be ordered by selecting from this chart. Please refer to selection charts on pages 27-30 or consult Reelcraft for any questions about option combinations.

Adjustable Cord Bumpers

Model	Outside Diameter of Cord in (mm)	Cord Specifications		
		AWG	mm ²	# Cond.
600193	.320(8) - .530(14)	16	1.33	3
1-HR1004-A	.438(11) - .625(16)	12	3.32	3
1-HR1004	.625(16) - .749(19)	12	3.32	3
3-HR1004-3	1.06(27) - 1.38(35)	6	8.00	3

L 4 0 5 0 1 6 3 *

REEL SERIES

- 30 = SERIES 3000
- 40 = SERIES 4000
- 45 = SERIES 4500
- 55 = SERIES 5500
- 57 = SERIES 5700
- 70 = SERIES 7000
- or SERIES 70000

WIRE SIZE

- 10 = 10 GAUGE
- 12 = 12 GAUGE
- 16 = 16 GAUGE

LENGTH OF CORD

- 00 = W/O CORD
- 25 = 25 FEET
- 30 = 30 FEET
- 35 = 35 FEET
- 45 = 45 FEET
- 50 = 50 FEET
- 75 = 75 FEET
- 100 = 100 FEET

STYLE NUMBERS

REFERENCE PAGES 27-30 FOR CORD END OPTIONS.

NO. OF CONDUCTORS

- 2 = TWO CONDUCTOR
- 3 = THREE CONDUCTOR
- 4 = FOUR CONDUCTOR

Third Party Listings

UL 355 - UL Standard for Safety Cord Reels

UL Listing means that **UL** has tested representative samples of a product and determined that the product meets specific, defined requirements. These requirements are often based on **UL's** published and nationally recognized Standards for Safety.

- UL tests the product and the manufacturing facility to certify that the product is safe if used as intended
- Recognized as the standard worldwide
- Mitigates insurance liability



CSA - C22.2 NO. 21-95 - Cord Sets & Power Supply Cords

CSA International certification marks indicate that a product, process or service has been tested to a Canadian or U.S. standard and it meets the requirements of an applicable **CSA** standard or another recognized document used as a basis for certification.

- Similar to UL, but preferred in some instances



Series L 3000 Cord Reels

- Ultra-compact for a wide range of bench mount or mobile applications with critical space requirements
- Easily fit within a 1 ft. x 1 ft. space
- Multiple slotted mounting holes to accommodate many configurations



NEW!
L 3030 123 7Q



S602805 - Optional guide arm accessory; refer to online tech bulletin for installation instructions

Model w/ cord & bumper	Cord Ending	Cord Specifications						Volts	Amps	Weight	
		AWG	mm ²	# Cond	ft	m	Type*			lbs	kg
L 3030 123 3	Single receptacle NEMA 5-15R, Inlet straight blade plug NEMA 5-15P	12	3.32	3	30	9	SJTO	125	15	23	10
L 3030 123 7Q	Quad box outlet NEMA 5-20R, Inlet straight blade plug NEMA 5-20P	12	3.32	3	30	9	SJTO	125	20	25	11
L 3030 123 X	Flying Lead both ends	12	3.32	3	30	9	SJTO	125	20	24	11
S602805	Optional guide arm accessory for multiple adjustment positions									1.1	0.5

For indoor non-weathertight applications only. All models UL listed at 125 Volt 60 Hz single phase. Models supplied with 4 ft. inlet cord. *Cord type designation shows all combinations of cord types that may be used, only UL approved cord types will be used.

Under Bench Mount	Dimensions	
	in	mm
A	11 ³ / ₁₆	284
B	11 ¹ / ₁₆	281
C	9 ¹ / ₄	235
D	8	203
E	4 ³ / ₁₆	106
F	6	152
G	2 ¹ / ₂	64

Triple Tap Power Cord Reels

Models with a ★ icon are our most popular models.

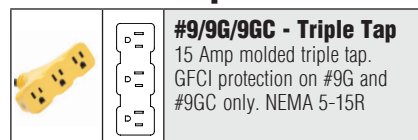


Model w/ cord & bumper	Cord Ending	Cord Specifications						Volts	Amps	Shipping Weight		Size Index #
		AWG	mm ²	# Cond	ft	m	Type**			lbs	kg	
L 4050 163 9	Triple tap outlet NEMA 5-15R, Inlet straight blade plug NEMA 5-15P	16	1.33	3	50	15	SJEOOW	125	13	26	12	1
L 4545 123 9 ★		12	3.32	3	45	14	SJEOOW	125	15	28	13	1
L 70075 123 9		12	3.32	3	75	23	SEOOOW	125	15	71	32	5
L 70100 123 9		12	3.32	3	100	30	SEOOOW	125	15	75	34	5
L 4545 123 9G ★	Triple tap outlet w/ GFCI* NEMA 5-15R, Inlet straight blade plug NEMA 5-15P	12	3.32	3	45	14	SJEOOW	125	15	29	13	1
L 70100 123 9G		12	3.32	3	100	30	SEOOOW	125	15	76	34	5
L 4545 123 9GC	Triple tap outlet w/ GFCI* NEMA 5-15P, Inlet twist lock plug NEMA L5-15P	12	3.32	3	45	14	SJEOOW	125	15	29	13	1

For indoor non-weathertight applications only. All models UL listed at 125 Volt 60 Hz single phase. Swing brackets or pivot bases should be used if cords are pulled at more than 45°, see page 39. *The GFCI Receptacle is designed to protect from line-to-ground shock hazards. It does not protect against short circuits or overloads; this is the function of the fuse or circuit breaker. **Cord type designation shows all combinations of cord types that may be used, only UL approved cord types will be used.



Cord End Specifications



#9/9G/9GC - Triple Tap
15 Amp molded triple tap.
GFCI protection on #9G and #9GC only. NEMA 5-15R

Refer to page 30 for dimensional drawings.

Single Receptacle Power Cord Reels

Model with cord & bumper	Cord Ending	Cord Specifications					Volts Amps		Shipping Weight		Size Index #	
		AWG	mm ²	# Cond	ft	m	Type*			lbs		kg
L 4050 163 3	Single receptacle NEMA 5-15R, Inlet straight blade plug NEMA 5-15P	16	1.33	3	50	15	SJTOW	125	13	26	12	1
L 4545 123 3 ★		12	3.32	3	45	14	SJE00W	125	15	27	12	1
L 5550 123 3		12	3.32	3	50	15	SJE00W	125	15	44	20	3
L 70075 123 3		12	3.32	3	75	23	SE00W	125	15	70	32	5
L 70100 123 3		12	3.32	3	100	30	SE00W	125	15	74	34	5
L 4525 123 3A	Single receptacle NEMA 5-20R, Inlet straight blade plug NEMA 5-20P	12	3.32	3	25	8	SJE00W	125	20	25	11	1
L 4545 123 3A ★		12	3.32	3	45	14	SJE00W	125	20	28	13	1
L 5550 123 3A		12	3.32	3	50	15	SJE00W	125	20	44	20	3
L 70075 123 3A		12	3.32	3	75	23	SE00W	125	20	70	32	5
L 70100 123 3A ★		12	3.32	3	100	30	SE00W	125	20	74	34	5
L 4545 123 3AC	Single receptacle NEMA 5-20R, Inlet twist lock plug NEMA L5-20P	12	3.32	3	45	14	SJE00W	125	20	28	13	1
L 70075 123 3AC		12	3.32	3	75	23	SE00W	125	20	70	32	5
L 4545 123 3B	Twist lock single receptacle NEMA L5-20R, Inlet straight blade plug NEMA 5-20P	12	3.32	3	45	14	SJE00W	125	20	28	13	1
L 5550 123 3B		12	3.32	3	50	15	SJE00W	125	20	44	20	3
L 70100 123 3B		12	3.32	3	100	30	SE00W	125	20	74	34	5

For indoor non-weathertight applications only. All models UL listed at 125 Volt 60 HZ single phase. Swing brackets or pivot bases should be used if cords are pulled at more than 45°, see page 39. *Cord type designation shows all combinations of cord types that may be used, only UL approved cord types will be used.



L 5550 123 3A



Cord End Specifications

		#3 - Single Receptacle Single 15 AMP with clamp type strain relief for 16 and 12 AWG cord. NEMA 5-15R
		#3A/3AC - Single Receptacle Single 20 AMP. NEMA 5-20R
		#3B - Twist Lock Receptacle Single 20 AMP with twist lock connector. NEMA L5-20R

Many more cord reel models available in addition to the charts on pages 27-30. Contact Reelcraft for more information. *Minimum order quantities may apply

Refer to page 30 for dimensional drawings for all cord reels.

Models with a ★ icon are our most popular models.

Flying Lead and Bare Power Cord Reels



Model	Cord Ending	Cord Specifications					Volts/ Amps	Volts/ Amps	Shipping Weight*		Size Index #	
		AWG	mm ²	# Cond	ft	m			Type**			
L 4050 163 X	Flying lead	16	1.33	3	50	15	SJE00W	125 / 13	220 / 6.5	26	12	1
L 4545 123 X		12	3.32	3	45	14	SJE00W	125 / 20	220 / 10	25	11	1
L 5550 123 X		12	3.32	3	50	15	SJE00W	125 / 20	220 / 10	35	16	3
L 70100 123 X		12	3.32	3	100	30	SE00W	125 / 20	220 / 10	73	33	6
L 5550 124 X		12	3.32	4	50	15	SE00W	-----	600 / 16	43	20	3
L 70100 124 X		12	3.32	4	100	30	SE00W	-----	600 / 16	75	34	6
L 5750 103 X		10	5.27	3	50	15	SE00W	125 / 30	220 / 15	55	25	4
L 7050 104 X		10	5.27	4	50	15	SE00W	-----	600 / 20	65	29	7
L 4500	Bare reel	12	3.32	3	45	14	SJE00W	125 / 20	220 / 10	21	10	1
L 70100		12	3.32	3	100	30	SE00W	125 / 20	220 / 10	58	26	6
L 70100 124		12	3.32	4	100	30	SE00W	-----	600 / 16	75	34	6
L 5000		10	5.27	3	35	11	SO	125 / 30	220 / 15	29	13	2
L 5700		10	5.27	3	50	15	SE00W	125 / 30	220 / 15	37	17	4
L 7000		6	13.3	4	35	11	SO0W	-----	220 / 45	41	19	7

For indoor non-weathertight applications only. All models UL listed at 125/220 Volt 60 HZ single phase. Swing brackets or pivot bases should be used if cords are pulled at more than 45°, see page 39. Flying lead models include cord and bumper. **Equivalent cord type may be used.



L 70100 123 X



Cord End Specifications

	X - Flying Lead Flying leads on inlet and outlet and conduit box.
--	---

Duplex and Quad Box Power Cord Reels

Model with cord & bumper	Cord Ending	Cord Specifications					Volts Amps		Shipping Weight		Size Index #	
		AWG	mm ²	# Cond	ft	m	Type**			lbs		kg
L 4545 123 7 ★	Duplex box outlet with GFCI* NEMA 5-15R, Inlet straight blade plug NEMA 5-15P	12	3.32	3	45	14	SJE00W	125	15	29	13	1
L 5550 123 7 ★		12	3.32	3	50	15	SEOOW	125	15	45	20	3
L 4525 123 7A	Duplex box outlet with GFCI* NEMA 5-20R, Inlet straight blade plug NEMA 5-20P	12	3.32	3	25	8	SJE00W	125	20	27	12	1
L 4545 123 7A ★		12	3.32	3	45	14	SJE00W	125	20	29	13	1
L 5550 123 7A		12	3.32	3	50	15	SEOOW	125	20	45	20	3
L 70100 123 7A		12	3.32	3	100	30	SEOOW	125	20	76	34	5
L 4545 123 7AC	Duplex box outlet with GFCI NEMA 5-20R, Inlet twist lock plug NEMA L5-20P	12	3.32	3	45	14	SJE00W	125	20	29	13	1
L 4545 123 7B	Duplex box outlet NEMA 5-20R, Inlet straight blade plug NEMA 5-20P	12	3.32	3	45	14	SJE00W	125	20	29	13	1
L 4525 123 7BC	Duplex box outlet NEMA 5-20R, Inlet twist lock plug NEMA L5-20P	12	3.32	3	25	8	SJE00W	125	20	27	12	1
L 4525 123 7Q	Quad box outlet NEMA 5-20R, Inlet straight blade plug NEMA 5-20P	12	3.32	3	25	8	SJE00W	125	20	27	12	1
L 4545 123 7Q		12	3.32	3	45	14	SJE00W	125	20	29	13	1
L 5550 123 7Q		12	3.32	3	50	15	SJE00W	125	20	45	20	3
L 4525 123 7QC	Quad box outlet NEMA 5-20R, Inlet twist lock plug NEMA L5-20P	12	3.32	3	25	8	SJE00W	125	20	27	12	1
L 4545 123 7QC		12	3.32	3	45	14	SJE00W	125	20	29	13	1
L 70100 123 7QC		12	3.32	3	100	30	SEOOW	125	20	76	34	5

For indoor non-weathertight applications only. All models UL listed at 125 Volt 60 HZ single phase. Swing brackets or pivot bases should be used if cords are pulled at more than 45°, see page 39. *The GFCI Receptacle is designed to protect from line-to-ground shock hazards. It does not protect against short circuits or overloads; this is the function of the fuse or circuit breaker. **Equivalent cord type may be used.

Refer to page 30 for dimensional drawings for all cord reels.

Reverse Plug Power Cord Reels

- Ideal for mounting on mobile equipment
- Reversed plug ends allow the male end to be reeled out the desired length
- Female end is stationary for plugging in mobile equipment



Model with cord & bumper	Cord Ending	Cord Specifications					Volts Amps		Shipping Weight		Size Index #	
		AWG	mm ²	# Cond	ft	m	Type*			lbs		kg
L 4035 163 3-RP	Outlet straight blade plug NEMA 5-15P, Inlet single receptacle NEMA 5-15R	16	1.33	3	35	11	SJE00W	125	13	26	12	1
L 4050 163 3-RP		16	1.33	3	50	15	SJE00W	125	13	29	13	1
L 4545 123 3-RP		12	3.32	3	45	14	SJE00W	125	15	28	13	1
L 4545 123 3A-RP ★	Outlet straight blade plug NEMA 5-20P, Inlet single receptacle NEMA 5-20R	12	3.32	3	45	14	SJE00W	125	20	28	13	1

For indoor non-weathertight applications only. All models UL listed at 125 Volt 60 HZ single phase. Pivot base should be used if cords are pulled at more than 45°, see page 39. *Equivalent cord type may be used.



L 4545 123 7



Cord End Specifications

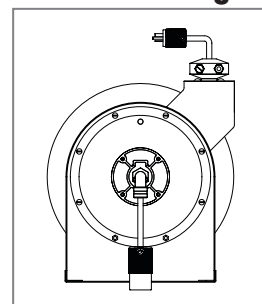
	#7 - Duplex Outlet Box 15 AMP duplex outlet box with GFCI protection. Includes flip cover. NEMA 5-15R
	#7A/7AC/7B/7BC - Duplex Outlet Box 20 AMP duplex outlet box. GFCI protection on #7A/7AC. Includes flip cover. NEMA 5-20R
	#7Q/7QC - Quad Box 20 AMP quad outlet box. Four receptacles. Does not include flip cover. NEMA 5-20R

Models with a ★ icon are our most popular models.



L 4050 163 3-RP

Reverse Plug






Light Cord Reels

Model with cord & bumper	Cord Ending	Cord Specifications					Volts	Amps	Shipping Weight		Size Index #	
		AWG	mm ²	# Cond	ft	m			Type*	lbs		kg
L 4035 163 10	LED lamp w/ outlet, Inlet straight blade plug NEMA 5-15P	16	1.33	3	35	11	SJTOW	125	12	26	12	1
L 4050 163 10	Inlet straight blade plug NEMA 5-15P	16	1.33	3	50	15	SJTOW	125	12	28	13	1


For indoor non-weathertight applications only. All models UL listed at 125 Volt 60 HZ single phase. Swing brackets or pivot bases should be used if cords are pulled at more than 45°, see page 39. *Equivalent cord type may be used.



L 4050 163 10

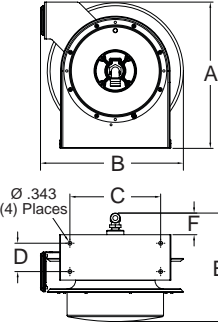



#10 - LED Light (930 lumens)
Two ultra-high intensity 4-watt LEDs; Single 3-watt end spot light; Polycarbonate shatter-resistant light tube; In-line tool tap, NEMA 5-15R configuration maximum 12 amp draw

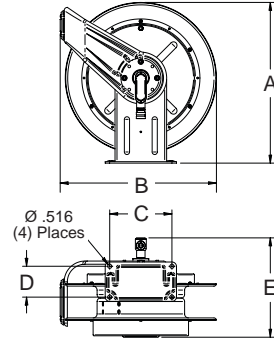


Pivot Bases & Swing Brackets
See page 39

- All Series L 4000, L 5000, and L 70000 reel models supplied with cord are complete with a 4-5 foot pigtail and three-prong plug or receptacle (except flying lead reels)
- Compact design
- Durable abrasion and corrosion resistant baked-on powder coat finish



Dimensions - Size Index								
	1		2		3		4	
	in	mm	in	mm	in	mm	in	mm
A	12 ⁷ / ₈	327	14 ³ / ₈	365	17 ⁵ / ₈	448	17 ⁵ / ₈	448
B	12 ⁵ / ₈	321	14 ¹ / ₄	362	16 ³ / ₄	425	16 ³ / ₄	425
C	8	203	9 ³ / ₄	248	9 ³ / ₄	248	9 ³ / ₄	248
D	2 ¹ / ₂	64	2 ¹ / ₂	64	2 ¹ / ₂	64	2 ¹ / ₂	64
E	9 ³ / ₈	239	10 ¹ / ₂	267	10 ¹ / ₂	267	12 ¹ / ₂	318
F	1 ³ / ₄	44	2 ¹ / ₈	54	2 ¹ / ₈	54	2 ¹ / ₈	54



Dimensions - Size Index						
	5		6		7	
	in	mm	in	mm	in	mm
A	20 ¹ / ₄	514	20 ¹ / ₄	514	20 ¹ / ₄	514
B	19 ³ / ₄	502	19 ³ / ₄	502	19 ³ / ₄	502
C	7 ¹³ / ₁₆	198	7 ¹³ / ₁₆	198	7 ¹³ / ₁₆	198
D	3 ⁷ / ₈	98	3 ⁷ / ₈	98	3 ⁷ / ₈	98
E	11 ³ / ₄	298	12 ¹ / ₂	318	14 ⁵ / ₈	371

NEMA 4 Power Cord Reels

- NEMA 4 rating provides protection against water or dust, indoor and out
- Cast aluminum construction with yellow powder coat finish
- Large, easy to access junction box
- One inch (NPT) pipe thread opening provided for conduit inlet
- Guide arm is adjustable every 5° over a 270° arc
- Containerized drive spring allows for safer, easier maintenance



L NM445 144 X

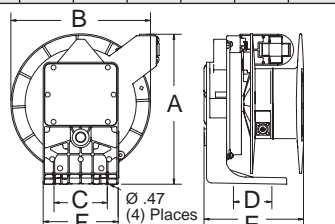


Interactive Reel Catalog

Visit reelcraft.com/catalog for complete product specifications, parts, and accessories.



Dimensions						
	A	B	C	D	E	F
in	14 ¹ / ₂	13 ¹ / ₂	4 ⁷ / ₁₆	3 ¹ / ₁₆	9 ⁵ / ₈	7 ¹ / ₄
mm	368	343	113	78	244	184



Model with cord & bumper	Cord Ending	Cord Specifications					Volts	Amps	Shipping Weight		
		AWG	mm ²	# Cond.	ft	m			Type	lbs	kg
L NM450 163 X	Flying Lead	16	1.31	3	50	15	SOW	600	9	43	20
L NM445 144 X		14	2.08	4	45	14	SOW	600	11	50	23
L NM450 123 X		12	3.31	3	50	15	SOW	600	18	50	23

All models UL listed at 125 Volt 60 HZ single phase. One inch (NPT) pipe thread opening provided for conduit inlet.

Single Line Welding Inlet Hose Assemblies

Part Number	Hose I.D.		Length		End Fittings	Pressure		Weight	
	in	mm	ft	m		in	psi	bar	lbs
T-Grade Hoses									
S601162-2	1/4	6	2	0.61	9/16-18 LH(F)	200	14	0.4	0.18
S601162-4	1/4	6	4	1.22	9/16-18 LH(F)	200	14	0.8	0.36
S601162-6	1/4	6	6	1.83	9/16-18 LH(F)	200	14	1.2	0.54
S601163-2	3/8	10	2	0.61	9/16-18 LH(F)	200	14	0.4	0.18
S601163-4	3/8	10	4	1.22	9/16-18 LH(F)	200	14	0.8	0.36
S601163-6	3/8	10	6	1.83	9/16-18 LH(F)	200	14	1.2	0.54

NOTE: All single line welding inlet hose assemblies listed include all the required adapters to connect to the reel. No additional purchase necessary.



S601163-4



S601162-50

Single Line Welding Outlet Hose Assemblies

Part Number	Hose I.D.		Length		End Fittings	Pressure		Weight	
	in	mm	ft	m		in	psi	bar	lbs
T-Grade Hoses									
S601162-25	1/4	6	25	8	9/16-18 LH(F)	200	14	3	1.4
S601162-50	1/4	6	50	15	9/16-18 LH(F)	200	14	5	2.3
S601163-50	3/8	10	50	15	9/16-18 LH(F)	200	14	6	2.7
S601163-100	3/8	10	100	30	9/16-18 LH(F)	200	14	12	5.4

Twin Line Welding Inlet Hose Assemblies

Part Number	Hose I.D.		Length		End Fittings	Pressure		Weight	
	in	mm	ft	m		in	psi	bar	lbs
T-Grade Hoses									
S601031-2	1/4	6	2	0.61	9/16-18 LH/RH(F)	200	14	0.70	0.32
S601031-4	1/4	6	4	1.22	9/16-18 LH/RH(F)	200	14	1.12	0.51
S601031-6	1/4	6	6	1.83	9/16-18 LH/RH(F)	200	14	1.90	0.86
601040-6	3/8	10	6	1.83	9/16-18 LH/RH(F)	200	14	2	0.91



S601031-4

Twin Line Welding Outlet Hose Assemblies

Part Number	Hose I.D.		Length		End Fittings	Pressure		Weight	
	in	mm	ft	m		in	psi	bar	lbs
T-Grade Hoses									
601031-25	1/4	6	25	8	9/16-18 LH/RH(F)	200	14	6.5	3.0
601031-50	1/4	6	50	15	9/16-18 LH/RH(F)	200	14	12.1	5.5
601031-60	1/4	6	60	18	9/16-18 LH/RH(F)	200	14	14.4	6.5
601031-100	1/4	6	100	30	9/16-18 LH/RH(F)	200	14	24.2	11
601040-50	3/8	10	50	15	9/16-18 LH/RH(F)	200	14	15.5	7
601040-75	3/8	10	75	23	9/16-18 LH/RH(F)	200	14	18	8.2
601040-100	3/8	10	100	30	9/16-18 LH/RH(F)	200	14	23.3	10.6



601040-75

Twin Hose Inlet Connection Fittings

Part Number	Inlet Connection Fittings
S300090	Acetylene - B size 9/16 - 18 LH (M) x 1/4" NPT (M) 90°
S300091	Oxygen - B size 9/16 - 18 LH (M) x 1/4" NPT (M) 90°
261371	Oxygen - B size 9/16 - 18 RH (M) x 3/8" NPT (M)
261372	Acetylene - B size 9/16 - 18 LH (M) x 3/8" NPT (M)

Advise product to be handled, maximum temperature, and pressure fitting size when ordering. **Caution:** Be sure working pressure required does not exceed above ratings.

Spring Retractable Single Line Fuel Gas Welding Hose Reels



Series SW - 1/4", 3/8" I.D.

Reel

- Hard coated, wear-resistant aluminum double-sealed full flow swivel
- Corrosion resistant baked-on powder coat

Hose

- Ideal for welding service – meets ARPM IP-7 and CGA E-1 standards for T-grade
- Non-conductive
- **Tube:** Synthetic rubber compound compatible with all common welding fuel gases
- **Reinforcement:** Spiral synthetic yarn
- **Cover:** Red synthetic rubber with ribbed surface



SW5450 OLPT

SWHD76100 OLPT



NOTE: All Series SW reels are listed to UL 1351 (reel only)



Interactive Reel Catalog

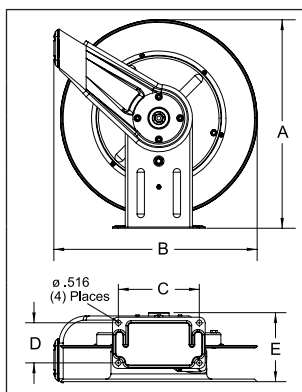
Visit reelcraft.com/catalog for complete product specifications, parts, and accessories.

Fuel gases commonly used in the welding, pre-heating, soldering, brazing, laboratory, heat gun, and cutting industries including, but not limited to, Acetylene, Hydrogen, Methane, Natural Gas, LP Gas, Mapp, and Propane

Features

- Designed to improve safety in the work area with an increase in productivity and efficiency
- Full flow shaft swivels
- Double-sealed, O-rings prevent leakage
- Durable abrasion and corrosion resistant baked-on red powder-coated finish
- Reel frame, spool, and drum are fabricated of heavy gauge steel

	Size Index					
	1		2		3	
	in	mm	in	mm	in	mm
A	14 ³ / ₈	365	20 ¹ / ₄	514	20 ¹ / ₄	514
B	13 ³ / ₄	349	19 ³ / ₄	502	19 ³ / ₄	502
C	9 ³ / ₄	248	7 ⁷ / ₈	200	7 ⁷ / ₈	200
D	2 ¹ / ₂	64	3 ⁷ / ₈	98	3 ⁷ / ₈	98
E	6	156	7	178	8 ¹ / ₄	210



Model with hose & bumper	Shipping Weight		Hose I.D.		Hose O.D.		Hose Length		Max Pressure		Hose Outlet B Size LH Thread	NPT(F) Reel Inlet	Reel Outlet	Size Index #
	lbs	kg	in	mm	in	mm	ft	m	psi	bar				
Single Line Fuel Gas Welding Reels Maximum Temperature 150 °F (65 °C)														
SW5450 OLPT	28	13	1/4	6	.530	13	50	15	200	14	9/16 - 18(F)	1/4	9/16-18(M)	1
SW7650 OLPT	43	20	3/8	10	.660	17	50	15	200	14	9/16 - 18(F)	1/2	9/16-18(M)	2
SWHD76100 OLPT	75	34	3/8	10	.660	17	100	30	200	14	9/16 - 18(F)	1/2	9/16-18(M)	3

Bevel Crank / Spring Retractable Twin Line Gas Welding Hose Reels Series BA / TW - 1/4", 3/8" I.D.



TW84100 OLPT

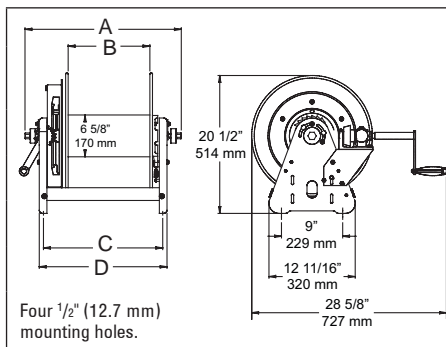
- Designed to handle various lengths of oxygen/acetylene or T-grade twin line hose
- Double sealed, special molded o-rings prevent leakage
- Swivel inlets are both permanently identified with machined grooves on the gas side to assure proper installation



NOTE: TW7400 OLPT, TW84000 OLPT, and TW86000 OLPT are listed to UL 1351

Size Index	Size Index					
	1		2		3	
	in	mm	in	mm	in	mm
A	20 ¹ / ₄	514	20 ¹ / ₄	514	25 ³ / ₈	645
B	19 ³ / ₄	502	19 ³ / ₄	502	24	610
C	7 ⁷ / ₈	200	7 ⁷ / ₈	200	10	254
D	3 ⁷ / ₈	98	3 ⁷ / ₈	98	6	152
E	7 ³ / ₈	187	8 ¹ / ₂	216	12 ¹ / ₄	311

Series TW5000 reels have four 5/16" (8 mm) diameter mounting holes.



Size Index	Size Index			
	4		5	
	in	mm	in	mm
A	15 ⁵ / ₈	397	21 ⁵ / ₈	550
B	6	152	12	305
C	9 ³ / ₄	248	15 ³ / ₄	400
D	11	280	17	432

Length with crank handle removed is 17 3/4" (451 mm).

Dual swivel is an exclusive Reelcraft design

The aluminum dual swivel body is hard coated for wear resistance. This assures positive separation of gases due to its unique design. Available with Series TW5000, TW7000, and TWH70000 reels.

Model with hose & bumper	Shipping Weight		Hose I.D.		Hose O.D.		Hose Length		Max Pressure		Hose Outlet (F)	Reel Inlet	Reel Outlet (M)	Size Index #
	lbs	kg	in	mm	in	mm	ft	m	psi	bar	in	in	in	
Twin Line Welding Gas - Oxygen / Acetylene, Mapp, Propane, Natural, and Fuel Gas (T-Grade) Hose Reels														
TW5425 OLPT	26	12	1/4	6	.530	13	25	8	200	14	9/16-18	1/4 NPT(F)	9/16-18	*
TW7450 OLPT ★	50	23	1/4	6	.530	13	50	15	200	14	9/16-18	1/4 NPT(F)	9/16-18	1
TW7460 OLPT	55	25	1/4	6	.530	13	60	18	200	14	9/16-18	1/4 NPT(F)	9/16-18	1
TWHD74085 OLPT	74	34	1/4	6	.530	13	85	26	200	14	9/16-18	1/4 NPT(F)	9/16-18	2
TW84100 OLPT	101	46	1/4	6	.530	13	100	30	200	14	9/16-18	9/16-18(M)	9/16-18	3
TW86050 OLPT	90	41	3/8	10	.625	16	50	15	200	14	9/16-18	9/16-18(M)	9/16-18	3
TW86075 OLPT	99	45	3/8	10	.625	16	75	23	200	14	9/16-18	9/16-18(M)	9/16-18	3

Acetylene and fuel gas (red) inlet 1/4" FPT / oxygen (green) inlet 1/4" FPT. 9/16-18 models above are B size. Acetylene/fuel gas side has a LH thread and the oxygen side has a RH thread. Maximum temperature 150 °F (65 °C). *See page 10 size index 1.

Model without hose & bumper	Shipping Weight		Hose Capacity			Max Pressure	Reel Inlet	Reel Outlet (M)	Size Index #				
	lbs	kg	I.D.	O.D.	Length								
	in	mm	in	mm	ft	m	psi	bar	in				
Twin Line Welding Gas - Oxygen / Acetylene, Mapp, Propane, Natural, and Fuel Gas (T-Grade) Hose Reels													
TW7400 OLPT	43	20	1/4	6	.530	13	60	18	200	14	1/4 NPT(F)	9/16-18	1
BA36106 LT*	50	23	1/4	6	.530	13	125	38	200	14	1/4 NPT(F)	9/16-18	4
BA36112 LT*	57	26	1/4	6	.530	13	250	76	200	14	1/4 NPT(F)	9/16-18	5
TW84000 OLPT	81	37	1/4	6	.530	13	100	30	200	14	9/16 - 18(M)	9/16-18	3
TW86000 OLPT	86	39	3/8	10	.625	16	75	23	200	14	9/16 - 18(M)	9/16-18	3

Maximum temperature 150 °F (65 °C). *Bevel crank model.

Inlet & Outlet Hoses
See page 31

Pivot Bases & Swing Brackets
See page 39

Models with a ★ icon are our most popular models.

Interactive Reel Catalog
Visit reelcraft.com/catalog for complete product specifications, parts, and accessories.

Hand Crank / Spring Retractable Welding Cable Reels Series CEA / WC

- Designed to improve safety in the work area with an increase in efficiency and productivity
- Cable reels have a current path through a continuous 400 or 700 AMP, 90 V DC (maximum) rated enclosed slip ring
- Keeps work area and vehicles better organized, resulting in better space utilization
- Stores cable when not in use, eliminating tangled, kinked welding cables
- Welding cable reels store work lead or electrode lead, up to 4/0, safely and effectively when not in use. Each lead requires a separate reel. When welding also refer to ANSI/Asc Z 49.1
- Maintains proper bend radius of cables, providing longer cable life



WC7000



WC80001

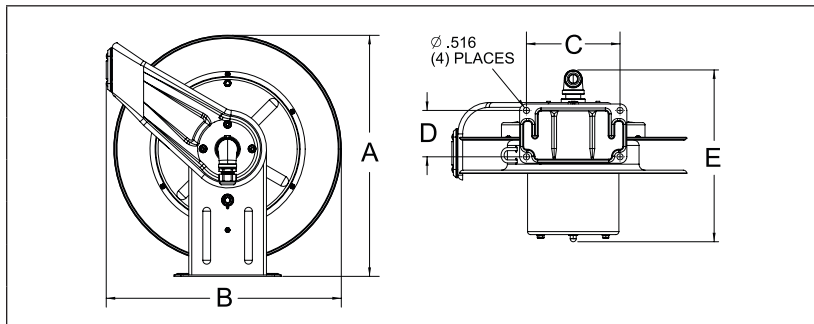


Pivot Bases & Swing Brackets
See page 39



Interactive Reel Catalog

Visit reelcraft.com/catalog for complete product specifications, parts, and accessories.



	Size Index					
	1		2		3	
	in	mm	in	mm	in	mm
A	20 ¹ / ₄	514	20 ¹ / ₄	514	25 ³ / ₈	645
B	19 ³ / ₄	502	19 ³ / ₄	502	24	610
C	7 ⁷ / ₈	200	7 ⁷ / ₈	200	10	254
D	3 ⁷ / ₈	98	3 ⁷ / ₈	98	6	152
E	13 ¹ / ₄	337	14	356	15 ⁵ / ₈	397

Model without cable & bumper	Cable Size					Amps	Shipping Weight	Size Index #		
	#1 (42mm ²)	1/0 (54mm ²)	2/0 (67mm ²)	3/0 (85mm ²)	4/0 (107mm ²)					
	ft	m	ft	m	ft				m	ft
WC7000	50	15	50	15	50	15	400	58	26	1
WCH7000	-----	-----	-----	-----	50	15	700	58	26	2
WC80001	75	23	75	23	75	23	400	102	46	3
WC80002	100	30	-----	-----	-----	-----	400	104	47	3
WCH80001	-----	-----	-----	-----	75	23	700	102	46	3

*May exceed maximum cable length allowable for most welding applications. **NOTE:** Each cable requires separate reel.
**Hand crank reel

Caution: If cable reels are to be used for extended periods of time, unwind all cable from reel to prevent heat build-up. **For indoor non-weathertight applications only.**

Cable Size	Bumper
#1	1-HR1004-3A
1/0, 2/0, 3/0	1-HR1004-3
4/0	2-HR1004-3

Hand Crank Welding Cable Reels



Up to 200' of 2/0 cable

- Designed for manual winding of air/water/fuel gas hose, electric cord and welding cable
- Ideal for applications where space, weight, and flexibility are key
- Offer trouble-free management of large capacities of cable
- Glass-filled nylon spools are very strong and durable while ensuring that no conductivity occurs
- A substantial welded aluminum base is used to support the weight of the spool
- Oversized bearings – heavy duty shaft with tapered roller bearings offer high rigidity and spool support



Side-by-side combinations

T-2462-0



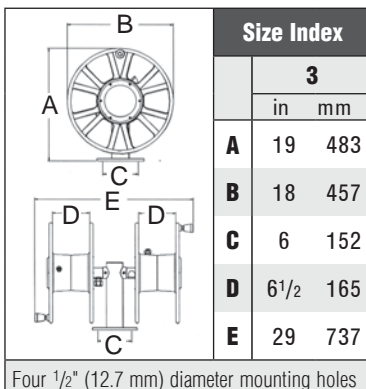
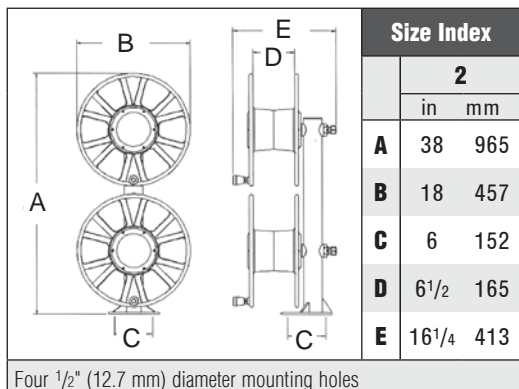
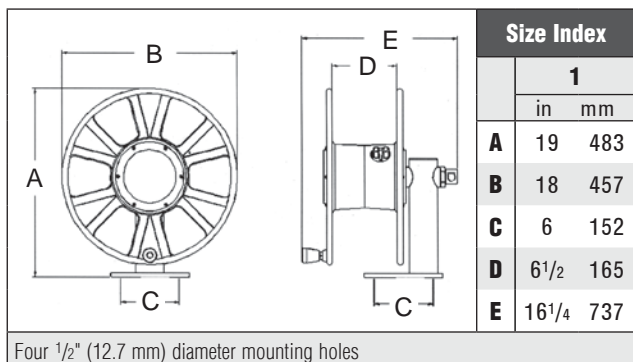
Stacked combinations

T-2464-0



Single welding

T-1460-0



Model without cable	Cable Size				Volts	Amps	Shipping Weight		Size Index #		
	#1 (42 mm ²)	1/0 (54 mm ²)	2/0 (67 mm ²)				lbs	kg			
	ft	m	ft	m							
Single Welding Cable											
T-1460-0	250	76	200	61	175	53	600	300	32	15	1
Dual Side-by-Side Welding Cable (2)											
T-2462-0	250	76	200	61	175	53	600	250	51	23	3
Dual Stacked Welding Cable (2)											
T-2464-0	250	76	200	61	175	53	600	250	62	28	2

For indoor non-weathertight applications only.

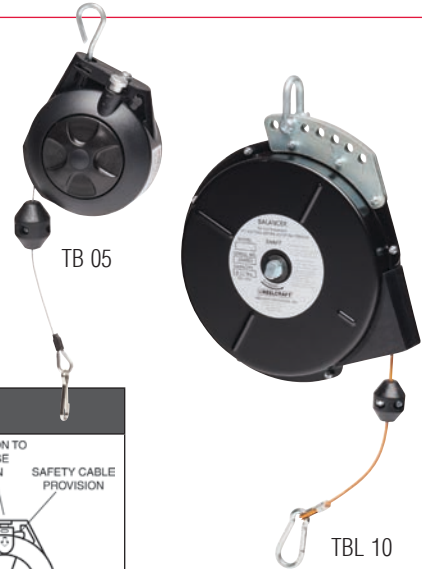


Interactive Reel Catalog

Visit reelcraft.com/catalog for complete product specifications, parts, and accessories.

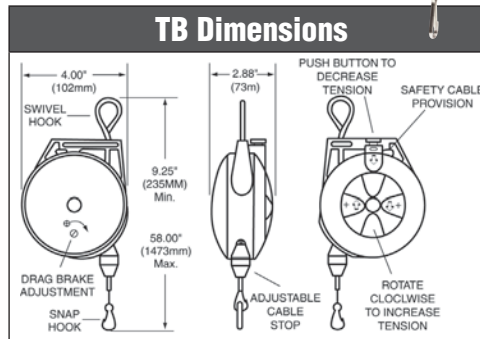
Spring Retractable Tool Balancers Series TB / TBL

- Balances the weight of assembly tools, making them nearly weightless
- Increases productivity by keeping tools positioned for immediate use with minimal operator motion
- Reduces tool damage by preventing tools from being accidentally dropped
- Reduces operator fatigue and improves safety and ergonomic



Model	Min - Max Load		Cable Length*		Shipping Weight		Ratchet Lock
	lbs	kg	ft	m	lbs	kg	
TB 01	0.0 - 1.5	0.0 - 0.7	6	1.8	1.0	0.5	NO
TB 03	1.5 - 3.0	0.7 - 1.4	6	1.8	1.0	0.5	NO
TB 05	3.0 - 5.0	1.4 - 2.3	6	1.8	1.5	1	NO
TBL 10	5.0 - 10	2.3 - 4.5	8	2.4	9	4	YES
TBL 15	10 - 15	4.5 - 6.8	8	2.4	10	4.5	YES
TBL 23	16 - 23	7.2 - 10.4	8	2.4	10	4.5	YES

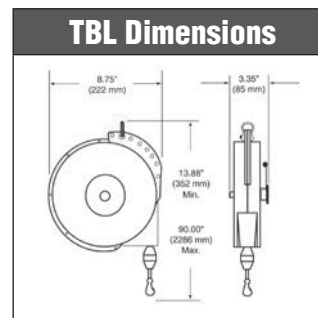
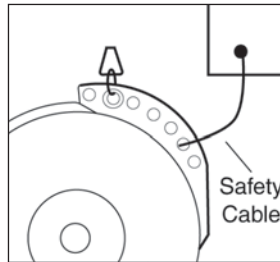
*Cable lengths listed are "active" or "working" cable. Maximum temperature 150 °F (65 °C).



Strongly recommended, secondary steel cable or steel link chain. Prevents balancer from accidental fall. Balancers have extra holes for cable or chain.

Overhang Cable (not included)	
Model No.	Length
600605-3	3.0 ft / 91.5 cm
600605-5	5.0 ft / 152.4 cm
Safety Cable/Chain (not included)	
600603*	1.0 ft / 30.5 cm
600604**	1.0 ft / 30.5 cm

Cables can be combined for added length *Nylon covered steel cable (1-6 lbs models) **Steel link chain (10-23 lbs models)



Bumper - S602413

Included with each model.

Safety Clip - 261241

Bright zinc plated steel cable and safety latch for tool attachment and other uses. Measures 2.375" (60 mm) long. Included with each model.

Adjustable Bumpers

Refer to page 26 for cord reel bumpers. Partial List - Visit Reelcraft.com for a complete list.

When ordering, advise the part number, reel model, and the hose I.D. and O.D. Refer to Reelcraft.com for dimensions.

NOTE: To order hose bumper with stainless steel hardware, change part number from HR to HS (not available with all models).

Part Number	For Reel Series	Hose / Cord O.D.		Hose I.D.		Weight		Overall Diameter	
		in (mm)		in	mm	lbs	kg	in	mm
1-HR1004-A	4000 / 5000 / RT400 / L4500 / L5000 / DP	.438 (11) - .625 (16)		1/4	6	.24	.10	2 1/2	64
1-HR1004	4000 / 5000 / RT400 / RT600	.625 (16) - .749 (19)		3/8	10	.25	.11	2 1/2	64
1-HR1004-3	7000 / 80000 / RT800 / 5000 / D80000 / DP	.625 (16) - .749 (19)		3/8	10	.24	.10	3	73
2-HR1004-3	5000 / 5005 / 7000 / 80000 / RT800 / DP	.750 (19) - 1.05 (27)		1/2 or 3/8	13 or 10	.23	.10	3	73
3-HR1004-3	7000 / 80000 / L7000	1.06 (27) - 1.38 (35)		3/4	19	.32	.14	3	73
8-HR1004-3	TW5000 / TW7000 / TW80000	.530 (13) twin		1/4 twin	6	.24	.10	3	73
600521	TH80000 / TW80000 / TH7000	.680 (17) twin		3/8 twin	10	.45	.20	3 1/2	89
600522	TH80000	.810 (21) twin		1/2 twin	13	.49	.22	3 1/2	89
2-HR1005	E9000	.750 (19) - 1.05 (27)		1/2	13	.95	.43	3 1/2	89
3-HR1005	E9000 / FE9000 / SD	1.06 (27) - 1.38 (35)		3/4	19	.95	.43	3 1/2	89
4-HR1005	D80000 / E9000 / FE9000 / SD	1.39 (35) - 1.55 (39)		1	25	.81	.36	3 1/2	89
S600547-1	FE9500 / FF9500	1.55 (39) - 1.75 (44)		1 1/4	32	.70	.31	3 3/4	95
S600547-2	FE9600 / FF9600	1.75 (44) - 2.03 (52)		1 1/2	38	.57	.25	3 3/4	95

Inlet Hose Assemblies

Partial List - Refer to Reelcraft.com for a complete list

A flexible hose connection must be used between the hose reel inlet and the source of supply to prevent possible misalignment and binding or warranty is void. Please furnish the following information when ordering: part number, product, and pressure to be handled. **NOTE:** Swivel fittings are recommended to protect hose during installation.



Part Number	I.D. in	O.D. in	Length ft	Pressure psi	End Fittings in - NPT(M)	Wgt. lbs
Low Pressure Air/Water Inlet Hoses - PVC nylon braid. Max temp 150°F (65°C)						
S601024-2	3/8	0.600	2	300	3/8 x 3/8	0.9
S601024-4	3/8	0.600	4	300	3/8 x 3/8	1.1
S601024-6	3/8	0.600	6	300	3/8 x 3/8	2.7
S601020-2	1/2	0.750	2	300	1/2 x 1/2	1.2
S601020-4	1/2	0.750	4	300	1/2 x 1/2	1.6
S601020-8	1/2	0.750	8	300	1/2 x 1/2	3.5
S601026-2	3/4	1.075	2	250	3/4 x 3/4	1.4
S601026-7	3/4	1.075	7	250	3/4 x 3/4	3
S601026-10	3/4	1.075	10	250	3/4 x 3/4	4
S601027-2	1	1.375	2	250	3/4 x 1	1.72
S601027-5	1	1.375	5	250	1 x 1	3.25
S600982-10	1	1.375	10	300	1 x 1 NPSH(F)	4.2
Swivel End Fitting - One End						
S601034-3	3/4	1.075	3	300	3/4 x 3/4	2
S601034-4	3/4	1.075	4	300	3/4 x 3/4	2.3
S601034-5	3/4	1.075	5	250	3/4 x 3/4	4
S601034-10	3/4	1.075	10	250	3/4 x 3/4	5
S601027-4	1	1.375	4	250	1 x 1	3.3
Swivel End Fitting - Both Ends						
S601034-2	3/4	1.075	2	300	3/4 x 3/4	1.7
S601026-5	3/4	1.075	5	250	3/4 x 3/4	2.6
S601034-7	3/4	1.075	7	250	3/4 x 3/4	4
Medium Pressure Oil Inlet Hoses 100 R1T one wire braid. Max temp 210°F (99°C)						
S32-260043	3/8	0.710	2	2250	3/8 x 3/8	1
S17-260043	1/2	0.850	2	3000	1/2 x 1/2	1.7
S39-260043	1/2	0.850	5	2000	1/2 x 1/2	3
High Pressure Grease Inlet Hoses 100 R2T two wire braid. Max temp 210°F (99°C)						
S17-260044	1/4	0.58	2	5000	1/4 x 1/4	0.75
S14-260044	3/8	0.73	2	4000	3/8 x 1/2	0.83
Water Inlet Hoses PVC nylon braid with garden hose thread						
S601025-4	1/2	0.750	4	300	1/2 x 3/4	1.5
S601025-6	1/2	0.750	6	300	1/2 x 3/4	2

Replacement Outlet Hose Assemblies







Partial List - Refer to Reelcraft.com for a complete list

Part Number	I.D. in	O.D. in	Length ft	Pressure psi	End Fittings in - NPT(M)	Wgt. lbs
Low Pressure Air/Water Hoses PVC nylon braid. Max temp 150°F (65°C)						
S601001-25	1/4	0.475	25	300	1/4 x 1/4	3
S601001-50	1/4	0.475	50	300	1/4 x 1/4	5
S601013-25	3/8	0.600	25	300	1/4 x 1/4	4.5
S601013-50	3/8	0.600	50	300	1/4 x 1/4	6
S601012-50	3/8	0.600	50	300	1/4 x 3/8	6
S601017-50	3/8	0.600	50	300	1/4 x 1/2	6
S601017-70	3/8	0.600	75	300	1/4 x 1/2	7.9
S601015-50	3/8	0.600	50	300	3/8 x 1/2	6.5
S601015-75	3/8	0.600	75	300	3/8 x 1/2	8
S601015-100	3/8	0.600	100	300	3/8 x 1/2	14
S601020-25	1/2	0.750	25	300	1/2 x 1/2	5
S601021-50	1/2	0.750	50	300	3/8 x 1/2	8
S601022-50	1/2	0.750	50	300	1/2 x 1/2	9.5
S601022-100	1/2	0.750	100	300	1/2 x 1/2	16
S601026-25	3/4	1.075	25	250	3/4 x 3/4	7.7
S601026-50	3/4	1.075	50	250	3/4 x 3/4	15
S601026-75	3/4	1.075	75	250	3/4 x 3/4	18.75
S601026-100	3/4	1.075	100	250	3/4 x 3/4	22.6
S601027-50	1	1.375	50	250	3/4 x 1	21.8
S601027-100	1	1.375	100	250	3/4 x 1	45
S601027-100	1	1.375	100	250	3/4 x 1	45
S601027-2	1	1.375	2	250	3/4 x 1	1.72
S601027-5	1	1.375	5	250	1 x 1	3.25
S600982-10	1	1.375	10	300	1 x 1 NPSH(F)	4.2
Swivel End Fitting - One End						
S601035-75	1/2	0.750	75	300	1/2 x 1/2	20
S601035-100	1/2	0.750	100	300	1/2 x 1/2	26.4
S601035-200	1/2	0.750	200	300	1/2 x 1/2	53
S601034-25	3/4	1.075	25	250	3/4 x 3/4	8
S601034-50	3/4	1.075	50	250	3/4 x 3/4	15
S601034-75	3/4	1.075	75	250	3/4 x 3/4	23
S601034-100	3/4	1.075	100	250	3/4 x 3/4	31
Medium Pressure Oil Hoses 100 R1T one wire braid. Max temp 210°F (99°C)						
S43-260043	1/4	0.530	50	2750	1/4 x 1/4	7.9
S12-260043	3/8	0.710	25	2250	3/8 x 3/8	6
S46-260043	3/8	0.710	50	2250	3/8 x 3/8	10.2
S5-260043	3/8	0.710	50	2250	3/8 x 1/2	10.4
S8-260043	1/2	0.850	50	3000	1/2 x 1/2	14.1
S24-260043	1/2	0.850	75	3000	1/2 x 1/2	22
S27-260043	3/4	1.120	50	1250	3/4 x 3/4	22.2
S28-260043	3/4	1.120	75	1250	3/4 x 3/4	30
S27-260043	3/4	1.120	50	1250	3/4 x 3/4	22.20
S28-260043	3/4	1.120	75	1250	3/4 x 3/4	30.00
High Pressure Grease Hoses 100 R2T 2 wire braid. Max temp 210°F (99°C)						
S9-260044	1/4	0.580	50	5000	1/4 x 3/8	12.7
S13-260044	3/8	0.730	25	4000	1/4 x 1/4	9.7
S5-260044	3/8	0.730	50	4000	1/4 x 3/8	19.2
S25-260044	3/8	0.730	25	4000	3/8 x 3/8	9.7
S27-260044	3/8	0.730	50	4000	3/8 x 3/8	20.7
S22-260044	3/8	0.730	100	4000	3/8 x 3/8	33
S19-260044	3/8	0.730	50	4000	3/8 x 1/2	20.9
S18-260044	3/8	0.730	75	4000	3/8 x 1/2	26.6
S18-260044	3/8	0.730	75	4800	3/8 x 1/2	26.60
Caution: Be sure working pressure required does not exceed above ratings. Misapplication can result in serious operator injury. Note: Advise product to be handled, maximum temperature and pressure fitting size or sizes when ordering.						











Rewind Motors

Part No.	Specification	
Electric Motors		
S260409	Reversible type, 12 V DC 1/3 HP	
Air Motors		
260428	4 AM delivers up to 1 1/2 HP, 1/4" NPTF (F) inlet	

Additional Accessories

Part No.	Specification	Use with Motor
Circuit Breaker		
S260422	40 AMP, manual reset button must be pressed firmly to reset	 S260409 260450
Starting Solenoid		
S260426	12 V DC for activation of motor	 S260409 S260583
370018	24 V DC for activation of motor	 260450 S260626
Mounting Bracket		
260532	Combination for circuit breaker, solenoid and starting switch	
Junction Box		
370200	For explosion proof motor	 Any explosion proof motor
Chain Shrouds		
S600518	Optional chain shroud for Series 30000 and Series 1200 reels.	

Operating Switches

Part No.	Specification	Use with Motor
Momentary Switches		
600811	12/24 V DC, up to 1/3 HP, breaker and relay	 S260409
S600808	600811 switch with bracket, 12/24 V DC	 S260409
600869	12/24 V DC, up to 2/3 HP	 S260626
260424	Momentary contact with rubber cap, 12/24 V DC, non-explosion proof	 Any DC motor
Speed Controls		
600866	12/24 V DC	 Any DC motor
Momentary Switches with Speed Control		
S600872	115/230 V AC, 10 AMP fuse, adjustable speed control	 S260430
600873	115/230 V AC, 10 AMP fuse, forward/reverse adjustable speed control	 S260430
600867	DC, 25 AMP, up to 1/3 HP	 S260409
600868	DC, 40 AMP circuit breaker, up to 2/3 HP	 S260583
Air Motor Control Valves (Recommend using a filter, regulator and lubricator with compressed air motors)		
260454	Pneumatic on/off flow control valve assembly, 1/4" NPTF (F) inlet for 4 AM compressed air motors.	 260428

All switches (except 600873) are uni-directional.

Series 9000 Hose Guide Roller Position Conversion Kits



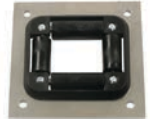
Part #	Description	For Reel Series
S602907-35	Hose Guide Roller Position Conversion Kit	D9000 / E9000 for SW & TW position
S602909-35	Hose Guide Roller Position Conversion Kit	D9005 / E9005 for SW & TW position
S602910-35	Hose Guide Roller Position Conversion Kit	FF9000 for SW & TW position
S602915-35	Hose Guide Roller Position Conversion Kit	G9600 for SW & TW position
S602919-35	Hose Guide Roller Position Conversion Kit	G9300 / G9400 for SW & TW position



HR1057 / HR1059



HR1145



600168

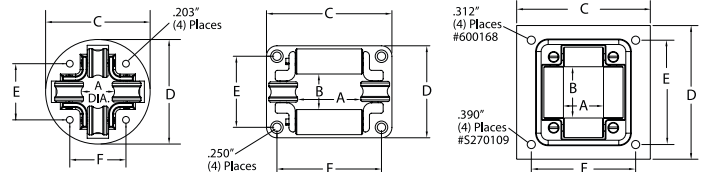


S270109

Roller Hose Guide Assemblies

Model	Accommodates	Weight		Dimensions											
	Hose O.D.			A		B		C		D		E		F	
	in (mm)	lbs	kg	in	mm	in	mm	in	mm	in	mm	in	mm	in	mm
HR1057	.603 (16) - .906 (23)	.25	.12	0.875	22.3	N/A		3.125	79.4	3.125	79.4	1.6875	42.9	1.6875	42.9
HR1059	.250 (6.4) - .625 (15.9)	.25	.12	0.625	15.9	N/A		3.125	79.4	3.125	79.4	1.6875	42.9	1.6875	42.9
HR1145	.603 (16) - .906 (23)	.34	.15	2	50.8	1	25.4	3.75	95.3	2.75	69.9	2.125	54.1	3.125	79.4
S270109	.900 (23) - 2.00 (50.8)	5.39	2.44	5.25	133.4	2.375	60.4	12	305	8	204	5	127	10.5	267
600168	.900 (23) - 1.38 (35)	1.75	.34	1.5	38.1	2	50.8	5.125	130	5.125	130	4	102	4	102

These four-way roller guide assemblies are for use with reels on cabinet door openings and for similar locations where sharp edges may cut or damage the hose. The four-way design permits pulling or retracting hose at any angle. Model S270109 has nylon rollers mounted on an 11 gauge steel frame with pre-drilled mounting holes.



Note: A hose bumper should be used with the four-way roller hose guide assemblies to prevent damage to rollers and nozzles.

Pivot Bases Not intended for mobile applications.



S600608



600801



600801-12

Part #	Description	For Reel Series	Color
S600608	340° Reel pivot base	RT / 3000 / 4000 / 5000 / 5005 / 7000 / HD70000	Black
600801	340° Reel pivot base	80000 / D80000 / 30006	Black
600801-12	340° Reel pivot base	30012	Black

Wall-Mounted Universal Swing Brackets



600626



600992



600993



600980

Part #	Description	For Reel Series	Color
600626	Swing bracket	RT / 4000 / 5000 / 5005 / 7000 / HD70000	Black
600992	Swing bracket	RT	Black
600993	Swing bracket	4000 / 5000	Red
600980	Swing bracket	80000 / D80000 / DP5000 / DP7000	Black



600295



600230

Top Mounting Channels and Beam Clamps

600370 Top channel and beam clamps - for one reel
 600295 Top channel and beam clamps - for two reels
 For mounting Series 7000 reels to an I-beam or overhead support. Mounting channels can be mounted end to end to mount three or more reels. To permit the mounting of Reelcraft Series RT, 4000, 5000, 5005, and electric cord reels on mounting channel, an adaptor assembly must be used (#600230).

600230 Adaptor Assembly

Used with top channels and beam clamps only.

Roller Guide Assemblies

Three-way rollers



Four-way rollers (multi-position)



Spools and blocks are chrome-plated to resist corrosion and abrasion. Rollers speed handling and reduce wear on hose. All painted parts are finished with durable abrasion resistant baked-on powder coat. Delrin bearing surfaces give a quiet operation with minimum wear and all features combine to give trouble-free maximum service life.

For the special HDPE composite rollers, add a "U" at the end of the part number. (Example: S600693-1U)



Hose Reel Spool Size	Bottom Wind Roller bracket assembly model number	Top Wind Roller bracket assembly model number	Multi Position Roller bracket assembly model number
in mm			

Series 30000 - Four Way Rollers				
6	152	S600693-1	S600692-1	S600533-1
12	305	S600693-2	S600692-2	S600533-2
18	457	S600693-3	S600692-3	S600533-3
Series 30000 - Three Way Rollers				
6	152	S602132-1	S602133-1	
12	305	S602132-2	S602133-2	
18	457	S602132-3	S602133-3	

Bottom wind and top wind may be used with all models except bevel crank. Multi position may not be used on models with a chain guard or Series 37000 reels.

Reelcraft Corporate Headquarters

2842 E. Business Hwy. 30, Columbia City, IN 46725

Customer Service: 855-634-9109

Ph: 800-444-3134 • Fax: 800-444-4587

Ph: 260-248-8188 • Fax: 260-248-2605

feedback@reelcraft.com • www.reelcraft.com